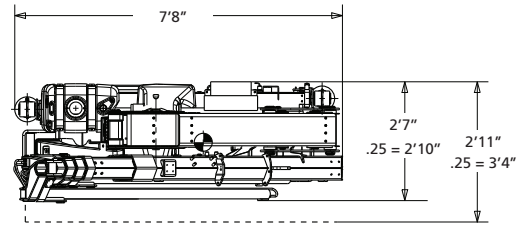
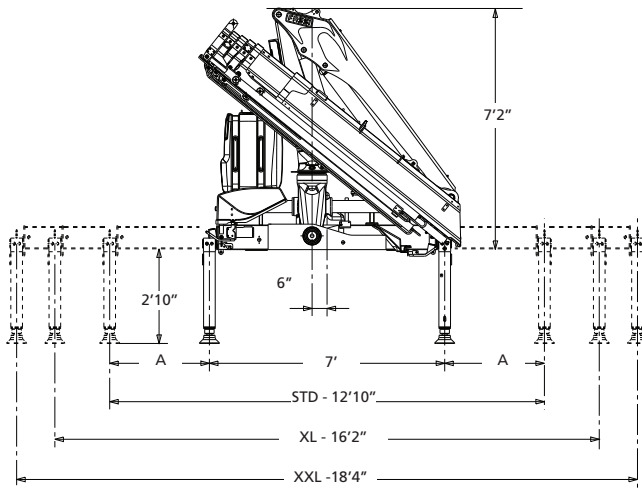
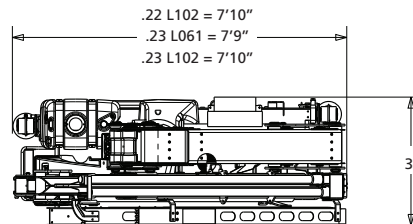
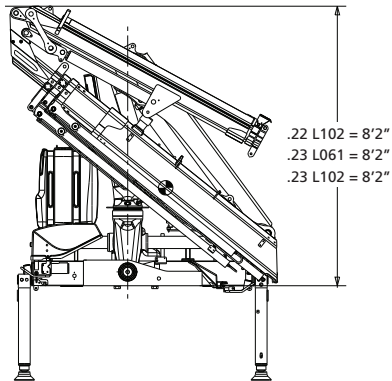


## F90B.1 e-dynamic



	STD	XL	XXL
A	2'11"	4'7"	5'5"

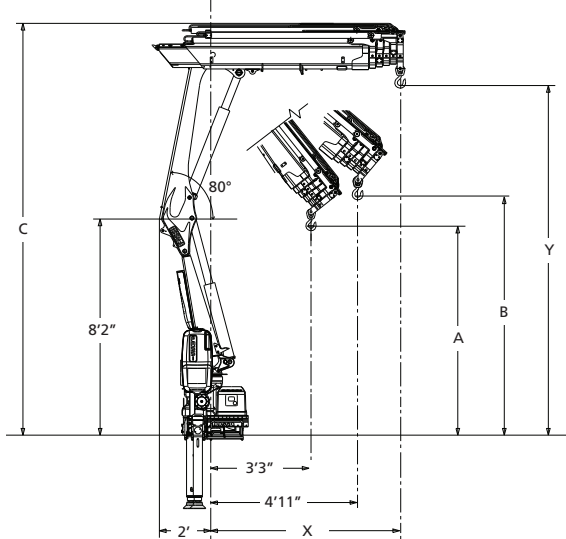
## L SERIE



<b>L102</b>	705 lbs
<b>ML</b>	44 lbs

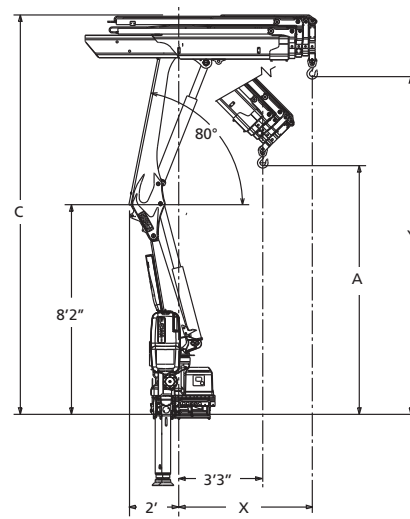
<b>L061</b>	275 lbs
<b>CL</b>	28 lbs

## F90B.1 e-dynamic



	A	B	C	X	Y
<b>F90B.1.21</b>	8'6"	10'	15'1"	6'4"	13'
<b>F90B.1.22</b>	8'4"	9'8"	15'2"	6'4"	13'
<b>F90B.1.23</b>	8'	9'4"	15'6"	6'8"	13'2"
<b>F90B.1.24</b>	7'8"	8'10"	15'6"	6'10"	13'2"
<b>F90B.1.25</b>	7'5"	8'6"	15'6"	7'2"	13'2"

## F90BC.1 e-dynamic



	A	C	X	Y
<b>F90BC.1.22</b>	10'4"	15'2"	4'8"	13'
<b>F90BC.1.23</b>	10'	15'6"	5'	13'2"
<b>F90BC.1.24</b>	9'8"	15'6"	5'2"	13'2"