



# SPX650

DIESEL + ELECTRIC POWER UNIT



## HYDRAULIC JIB

- ✓ Hook or winch mode
- ✓ 2650 lb MAX capacity
- ✓ 77'5" MAX height
- ✓ Stored onboard & easy to install

## REMOTE CONTROL



- ✓ Multifunctional
- ✓ Proportional
- ✓ LCD Screen
- ✓ Spare battery
- ✓ Alarm & error diagnostic



## SPECIAL FEATURES

- ✓ Variable displacement pump
- ✓ 360° 1760 lb Pick&Carry
- ✓ Virtual Walls
- ✓ Self-diagnostic system
- ✓ All accessories on board

## WINCH



- ✓ Up to 265'8" rope
- ✓ 1760 lb single line
- ✓ Single line up to 6 falls
- ✓ Pulley heads and pulley block on board

## MAIN BOOM



- ✓ 11020 lb MAX capacity
- ✓ 56'9" MAX height
- ✓ 4 hydraulic extensions by chain
- ✓ High-resistance steel
- ✓ Hook and winch mode

## 360° ENDLESS ROTATION

## ADDITIONAL ELECTRIC POWER UNIT

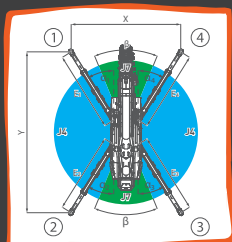


- ✓ On board
- ✓ 50 Hz or 60 Hz
- ✓ Simple switch from diesel



## OUTRIGGERS

- ✓ 7 different stability levels
- ✓ Self-levelling system
- ✓ 0 - 70° full range angle & telescopic



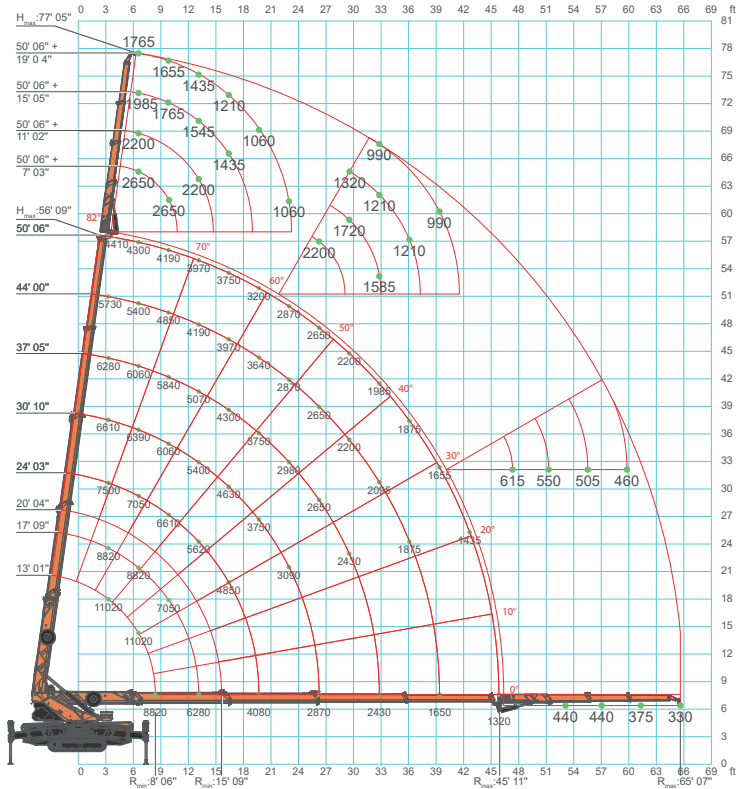
## TRACKS

- ✓ Hydraulically extendible
- ✓ White or black tracks





# LOAD CHART

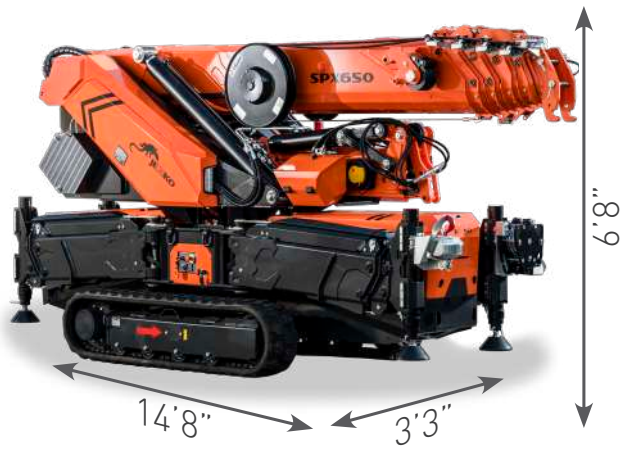


SCAN FOR MORE TECHNICAL DATA

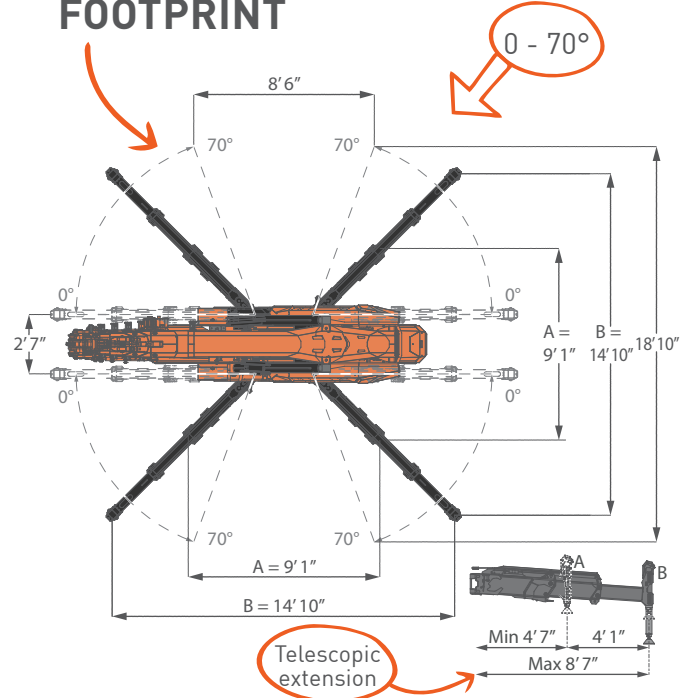
|                     | lb    |
|---------------------|-------|
| SPX650              | 13228 |
| Hydraulic Jib       | 904   |
| Winch               | 115   |
| Electric Power Unit | 138   |



## DIMENSIONS



## FOOTPRINT



## ACCESSORIES

**JVM800-R**  
1760 lb glass manipulator

**JIB500GR**  
1102 lb steal beam manipulator

**4409 lb RUNNER JIB**  
Stored on board



**2646 lb Hydraulic JIB**  
Stored on board