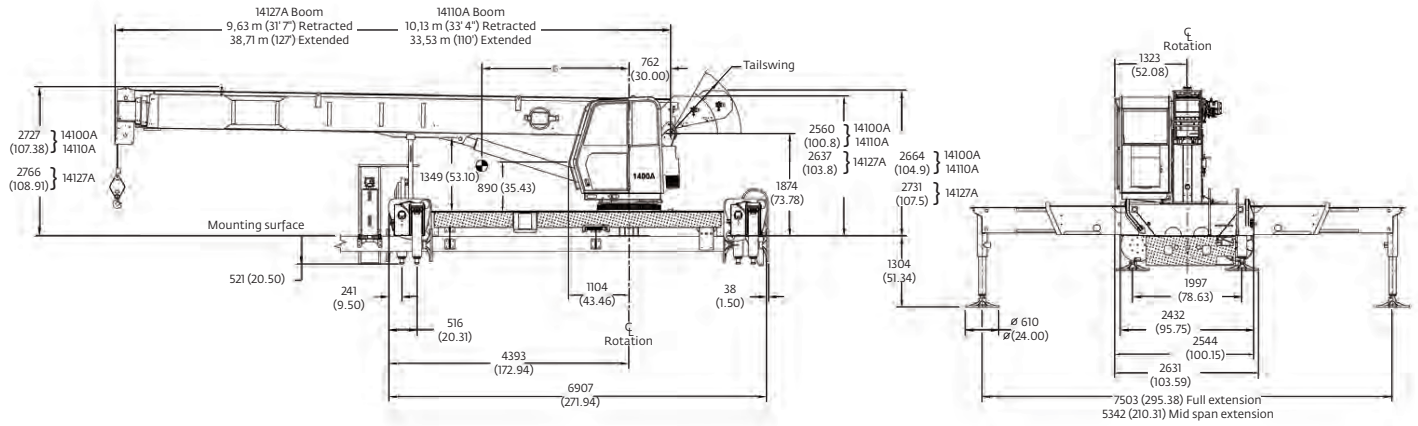
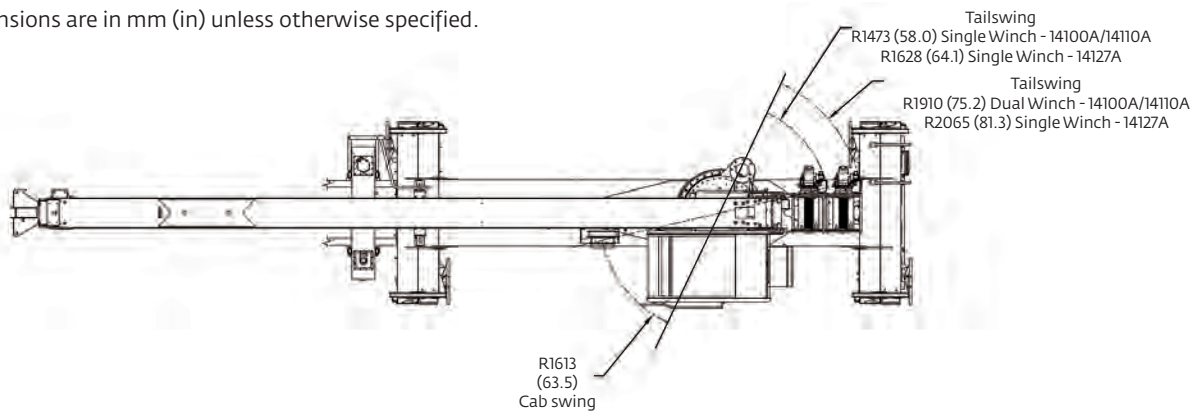


Dimensions



Dimensions are in mm (in) unless otherwise specified.



G center of gravity from centerline		
Series	G	w/oil weight ^{2*}
14110A	2083 mm (82 in)	13 868kg (30,510 lb)
14127A	2159 mm (85 ft)	14 718 kg (32,380 lb)

*Weight includes all items including complete HO outriggers, 82 kg (180 lb) downhaul weight, reservoir, decks, ladders and SFO. Booms fully retracted. Pump, and PTO not included.