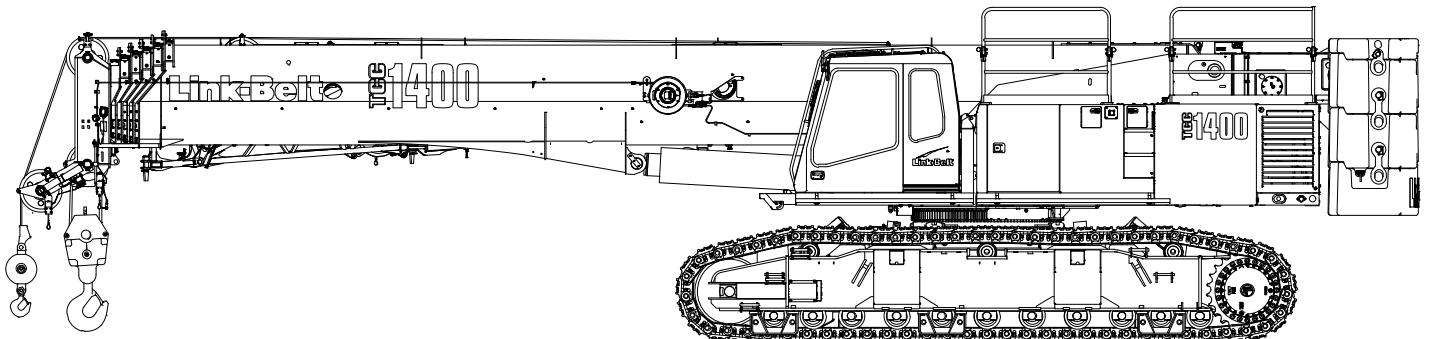


Technical Data

Specifications & Capacities
Imperial/Metric

TCC 1400

Telescopic Crawler Crane
140 Ton (127 metric ton)



CAUTION: This material is supplied for reference use only. Operator must refer to in-cab Crane Rating Manual and Operator's Manual to determine allowable crane lifting capacities and assembly and operating procedures.

Table Of Contents

Upper Structure	1
Frame	1
Engine	1
Hydraulic System	1
Load Hoist Drums	1
Swing System	1
Counterweight	1
Operator's Cab	1
Rated Capacity Limiter System	2
Machinery House	2
Catwalks	2
Optional	2
Lower Structure	2
Carbody	2
Side Frames	2
Travel and Steering	2
Jack System	2
Optional Tool Boxes	2
Boom	3
Design	3
Boom	3
Optional	3
Boom Wear Pads	3
Boom Head	3
Boom Elevation	3
Optional Equipment	3
Hook Blocks And Balls	3
Fly & Attachments	3
Dimensions	4
Base Crane	4
Auxiliary Lifting Sheave	7
Fly	7
Side Frames	7
Counterweights	8
Hook Balls	9
Hook Blocks	9
Working Weights	11
Transport Drawing	11
Load Hoist Performance	11
Working Areas	12
Boom Extend Modes	13
Working Range Diagrams	14
Main Boom	14
195.4' Main Boom + 10' Fly	15
180' Main Boom + 10, 31–55' Fly	16

Main Boom Load Charts – Imperial	17
Main Boom	17
Fly Attachment Load Charts – Imperial	18
Main Boom + 10’ Offset Fly	18
Main Boom + 31’ Offset Fly	20
Main Boom + 55’ Offset Fly	21
Main Boom Load Charts – Metric – 75%	22
Main Boom Load Charts – Metric CE	23
Fly Attachment Load Charts – Metric – 75%	24
Main Boom + 3.1m Offset Fly	24
Main Boom + 9.5m Offset Fly	26
Main Boom + 16.8m Offset Fly	27
Fly Attachment Load Charts – Metric CE	28
Main Boom + 3.1m Offset Fly	28
Main Boom + 9.5m Offset Fly	30
Main Boom + 16.8m Offset Fly	31

Upper Structure

Frame

All welded steel frame with precision machined surfaces for mating parts.

Turntable Bearing

- Inner race is bolted to upper frame
- Outer race with external swing gear is bolted to lower frame

Engine

Engine

Full pressure lubrication, oil filter, air cleaner, hour meter, throttle, and electric control shutdown.

Specification	Cummins QSL	
Emissions Compliance Level:	Tier 4f Stage IV ⁽¹⁾	Tier 3/ Stage IIIA ⁽²⁾
Numbers of Cylinders	6	6
Cycle	4	4
Bore & Stroke: inch (mm)	4.49 x 5.69 (114 x 145)	4.49 x 5.69 (114 x 145)
Piston Displacement: in ³ (L)	543 (8.90)	543 (8.90)
Max. Brake Horsepower: hp (kW)	320 (239) @ 1,800 rpm	325 (242) @ 1,800 rpm
Peak Torque: ft lb (Nm)	1,050 (1 424) @ 1,500 rpm	1,050 (1 424) @ 1,500 rpm
Electric/starting systems: volts	12/12	12/12
Alternator: amps	160	160
Crankcase Capacity: qt (L)	24 (22.7)	24 (22.7)
	<ul style="list-style-type: none"> • Water/fuel separator w/ heater and water in fuel (WIF) sensor • 120-volt block heater • Grid heater — 200 amp • ⁽¹⁾ Can only be sold and/or operated where Tier 4f and Stage IV off-high way emission standards are accepted. • ⁽²⁾ Can only be sold and/or operated where Tier 3 and Stage IIIA off-high way emission standards are accepted. 	

Fuel Tank

One 110 gal (416L) capacity fuel tank.

Hydraulic System

Hydraulic Pumps

The pump arrangement is designed to provide hydraulically powered functions allowing positive, precise control with independent or simultaneous operation of all crane functions.

- Two variable displacement pumps provide independent control for hoist drums, boom hoist, boom extend, and right & left travel.
- Two gear type pumps are used for the swing, counterweight removal, track extend/retract, tilting cab, jacks, operator's controls, and hydraulic oil cooling fan.

Hydraulic Reservoir

250 gal (946L) capacity equipped with sight level gauge. Diffusers built in for deaeration.

Filtration

One 10 micron, full flow return line filter. Accessible for easy filter replacement.

Counterbalance Valves

All hoist motors are equipped with counterbalance valves to provide positive load lowering and prevent accidental load drop if the hydraulic pressure is suddenly lost.

Load Hoist Drums

Main and Optional Auxiliary Winches

- Axial piston, full and half displacement (2-speed) motor driven through planetary reduction unit for positive control under all load conditions.
- Grooved lagging
- Power up/down mode of operation
- Hoist drum cable follower — standard
- Drum rotation indicator
- Drum diameter: 15 in (38.1 cm)
- Rope length:
 - Main: 900 ft (274.3m)
 - Auxiliary: 650 ft (152.4m)
- Maximum rope storage: 951 ft (198.1m)
- Terminator style socket and wedge

Third wrap indicator — optional — Visually and audibly warns the operator when the wire rope is on the first/bottom layer and when the wire rope is down to the last three wraps

Swing System

Dual Swing Drives

Motor/Planetary — Bi-directional hydraulic swing motor mounted to a planetary reducer for 360° continuous smooth swing at 1.2 rpm

Swing Park Brake — 360°, electric over hydraulic, (spring applied/hydraulic released) multi-disc brake mounted on the planetary reducer. Operated by a switch in the operator's cab.

Swing Brake — 360°, foot operated, electric over hydraulic proportional metering valve

House Lock — Four-position house lock (boom over front, rear or sides) operated from the operator's cab

Counterweight

Consists of a six piece design.

- One "A" counterweight, 19,000 lb (8 618kg)
- One "B" counterweight, 16,000 lb (7 257kg)
- One "C" counterweight, 16,000 lb (7 257kg)
- One "D" counterweight, 6,000 lb (2 721kg)
- Two "A" carbody counterweights, 12,500 lb (5 670kg) each

Operator's Cab

Fully enclosed modular steel compartment is independently mounted and padded to protect against vibration and noise. Tilting cab 0–20°

- All tinted/tempered safety glass
- Sliding entry door and front and rear window
- Swing up roof window with windshield wiper
- Door and window locks
- Hot water heater
- Air conditioner
- Sun visor
- Cloth seat
- Circulating fan
- Front windshield and top hatch wipers and washers
- Dry chemical fire extinguisher
- Engine instrumentation panel (tachometer, voltmeter, engine oil pressure, engine water temperature, fuel level, hydraulic oil temperature, hour meter, and service monitor system)
- Mechanical drum rotation indicators for main (rear) and auxiliary (front) hoist drums
- Six way adjustable seat
- Foot throttle
- Single axis pilot operated controls
 - Optional Joystick controls
- Fully adjustable single axis controls
- Bubble type level
- Ergonomic gauge layout
- Controls shut off lever
- AM/FM Radio
- Travel levers & pedals
- Monitor for rear view and winch cameras
- Amber strobe beacon mounted on top of cab

Rated Capacity Limiter System

Link–Belt Pulse – The Link–Belt in–house designed, total crane operating system that utilizes the display as a readout and operator interface for the following systems:

- Crane configuration
- Boom length
- Boom head height
- Allowed load and % of allowed load
- Data logging
- Boom angle
- Radius of load
- Actual load
- Ground bearing pressures (simulated and real time)
- Electronic level indicator
- Operator settable alarms (include):
 - Maximum and minimum boom angles
 - Maximum tip height
 - Maximum boom length
 - Swing left/right positions
 - Operator defined area (imaginary plane)
- External bar graph indicator
- Optional internal bar graph indicator

Telematics – Cellular–based data logging and monitoring system that provides:

- Location and operational settings
- Routine maintenance
- Crane and engine monitoring
- Diagnostic and fault codes

Machinery House

Hinged doors (four on right side, one on left side) for machinery access. Upper left side guard rails.

- Upper centralized grease bank
- Centralized hydraulic pressure ports
- 360 degree remote controlled high intensity boom floodlight

Catwalks

Standard on right and left sides. Catwalks fold up and pin for reduced travel width.

Optional

- 360 degree rotating beacon to replace amber strobe
- Wireless remote to remotely control crane functions

Lower Structure

Carbody

Lower Frame

All welded box construction frame with precision machined surfaces for turntable bearing and axles beams.

Extendable & retractable axle beam controlled by a hydraulic cylinder mounted inside the beams.

- Lower centralized grease bank

Side Frames

Side Frames

All welded, precision machined, steel frames can be extended and retracted with hydraulic cylinders.

- 15 ft 2.2 in (4.63m) extended gauge
- 12 ft 8.7 in (3.88m) intermediate gauge
- 8 ft 11.6 in (2.73m) retracted gauge
- 23 ft 4.2 in (7.11m) overall length
- 36 in (0.91m) wide track shoes
- Sealed (oil filled) idler and drive planetaries
- 2 speed travel drives
- Hydraulic self adjusting tracks

Track Rollers

- Eleven sealed (oil filled) bottom track rollers per side frame
- Three sealed (oil filled) top track rollers per side frame
- Heat treated, mounted on anti–friction bearings

Tracks

Heat treated, self–cleaning grouser shoes and heat treated track pins. 65 track shoes per side.

- Optional flat steel or “street” pad
- Optional rubber clamp on pads

Take Up Idlers

Cast steel, heat treated, self–cleaning, mounted on sealed tapered roller bearings

Travel and Steering

Each side frame contains a pilot controlled, bi–directional, axial piston motor and a planetary gear reduction unit to provide positive control under all load conditions.

- 2–speed travel
- Individual control provides smooth, precise maneuverability including full counter–rotation.

- Spring applied, hydraulically released multiple wet–disc type brake controlled automatically
- Maximum travel speed is 2 mph (3.2km/h)
- Designed to 40% gradeability

Jack System

System contains four hydraulic cylinders individually mounted on swing–out beams.

- Individual jack cylinders are operated by remote control, or can be operated by carbody–mounted controls.
- Minimum height of carbody when resting on pontoons is 14.7 in (37.4cm).
- Maximum height of carbody with jack fully extended is 45.5 in (115.6cm).

Optional Tool Boxes

Two heavy duty steel design tool boxes that bolt onto the carbody counterweights.

Boom

Design

Six section, formed construction of extra high tensile steel consisting of one base section and five telescoping sections. The two plate design of each section has multiple longitudinal bends for superior strength. Each telescoping section extends independently by means of one double-acting, single stage hydraulic cylinder with integral holding valves.

Boom

- 42.4–195.4 ft (12.9–59.5m) six section boom
- Five boom extend modes (EM1 through EM5), controlled from the operator's cab, provide superior capacities by varying the extension of the telescoping sections:
 - EM1 extends to 195.4 ft (59.5m)
 - EM2 extends to 180.4 ft (54.9m)
 - EM3 extends to 154.9 ft (47.2m)
 - EM4 extends to 129.4 ft (39.4m)
 - EM5 extends to 103.6 ft (31.5m)
- Mechanical boom angle indicator
- Wind speed indicator
- Maximum tip height for each extend mode is:
 - EM1 is 203 ft (61.9m)
 - EM2 is 188 ft (57.3m)
 - EM3 is 163 ft (51.2m)
 - EM4 is 138 ft (42.1m)
 - EM5 is 112 ft (34.1m)
- 360 remote controlled high intensity boom floodlight mounted on boom base section

Boom Wear Pads

- Wear pads with Teflon inserts that self-lubricate the boom sections
- Bottom wear pads are universal for T2–T5 telescoping boom sections
- Bottom wear pads are universal for the boom base section and T1 boom section
- Top wear pads are universal for all boom sections

Boom Head

- Six 16.38 in (41.6cm) root diameter nylon sheaves to handle up to 12 parts of line
- Single 16.5 in (41.9m) root diameter nylon auxiliary lifting sheave
- Does not affect erection of the fly or use of the main head sheaves
- Easily removable wire rope guards
- Rope dead end lugs on each side of the boom head
- Boom head is designed for quick-reeve of the hook block

Boom Elevation

- One double acting hydraulic cylinder with integral holding valve
- Boom elevation: -2.5° to 81°

Optional Equipment

Hook Blocks And Balls

- 35 ton (31.8mt) 1 sheave quick-reeve hook block with safety latch
- 50 ton (45.4mt) 4 sheave quick-reeve hook block with safety latch
- 80 ton (72.6mt) 5 sheave quick-reeve hook block with safety latch
- 100 ton (90.7mt) 6 sheave quick-reeve hook block with safety latch
- 140 ton (127mt) 7 sheave quick-reeve hook block with safety latch
- 12 ton (10.9mt) swivel and non-swivel hook balls with safety latch

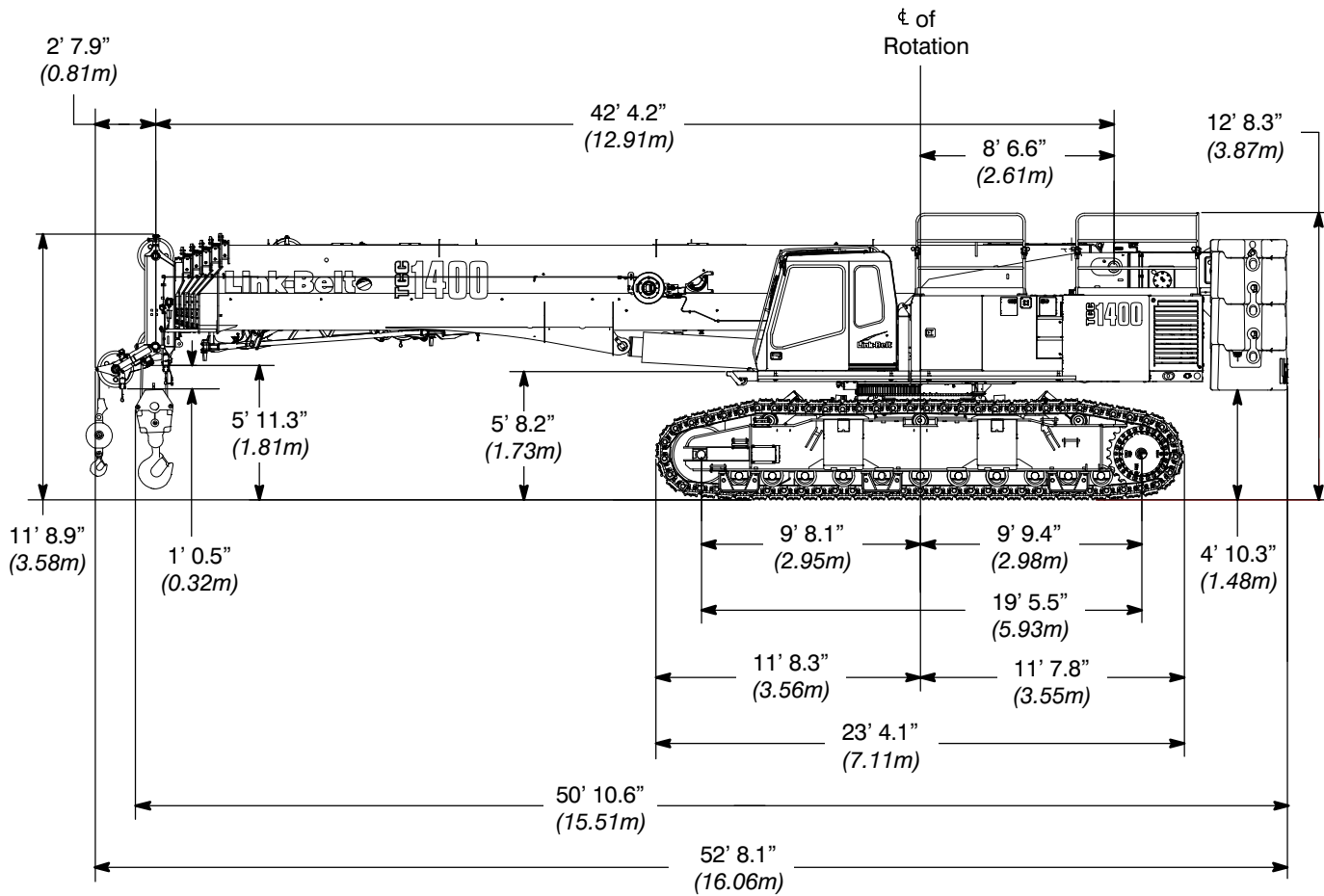
Fly & Attachments

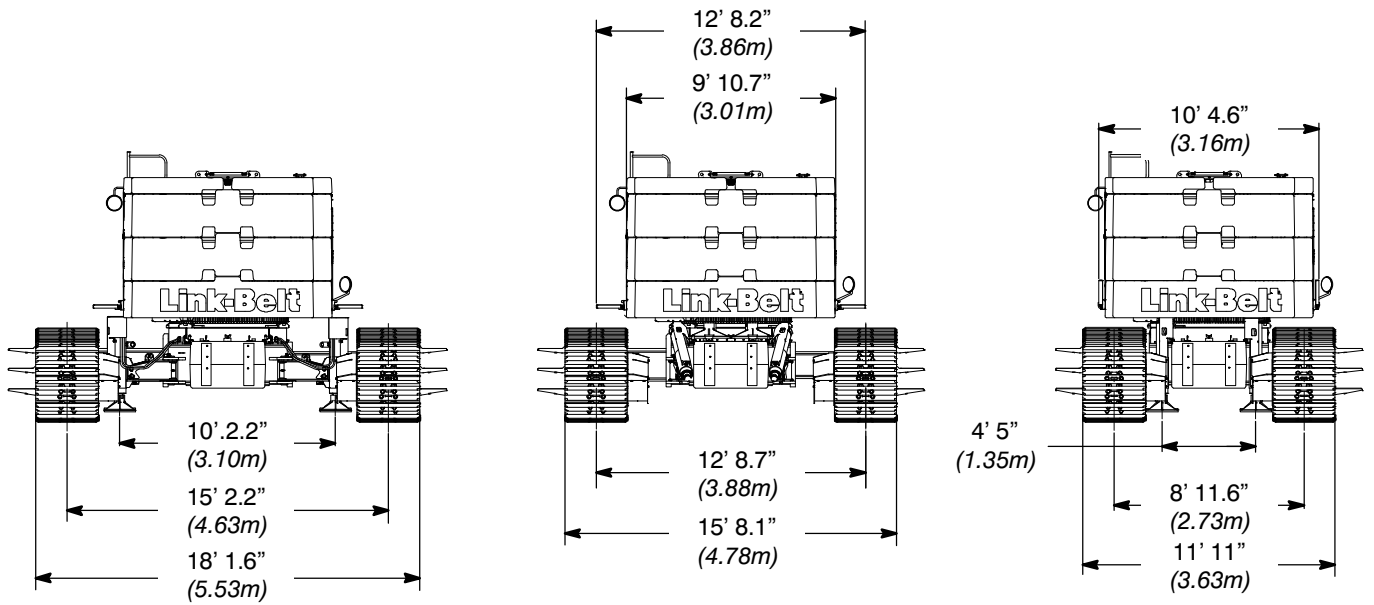
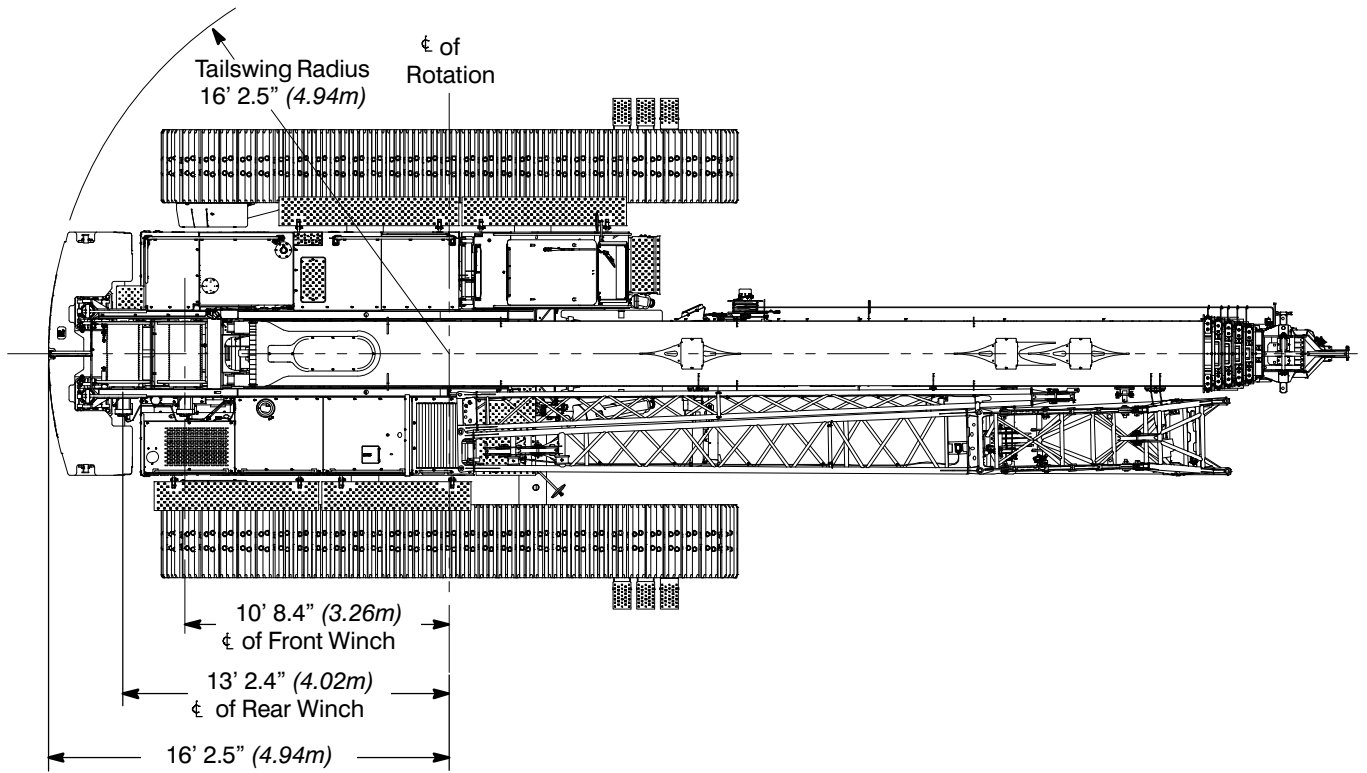
- 10 ft (3.0m) lattice fly, stowable, offsettable to 0° , 15° , 30° , and 45° . Maximum tip height is 211' 6" (64.5m).
- 10–31 ft (3.0–9.4m) two piece lattice fly, stowable, offsettable to 0° , 15° , 30° , and 45° . Maximum tip height is 231' 11" (70.7m).
- 10–31–55 ft (3.0–9.4–16.8m) three piece bi-fold lattice fly, stowable, offsettable to 0° , 15° , 30° , and 45° . Maximum tip height is 257' 7" (78.5m).

Dimensions

Base Crane

General Dimensions	English	Metric
Basic Boom	42.4–195.4 ft	12.92–59.56m
Minimum Load Radius	8 ft	2.44m
Maximum Boom Angle	81°	81°
Track Shoe Width	36 in	0.91m

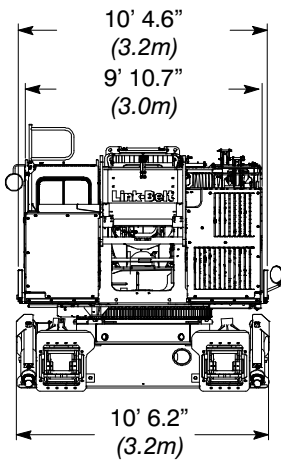
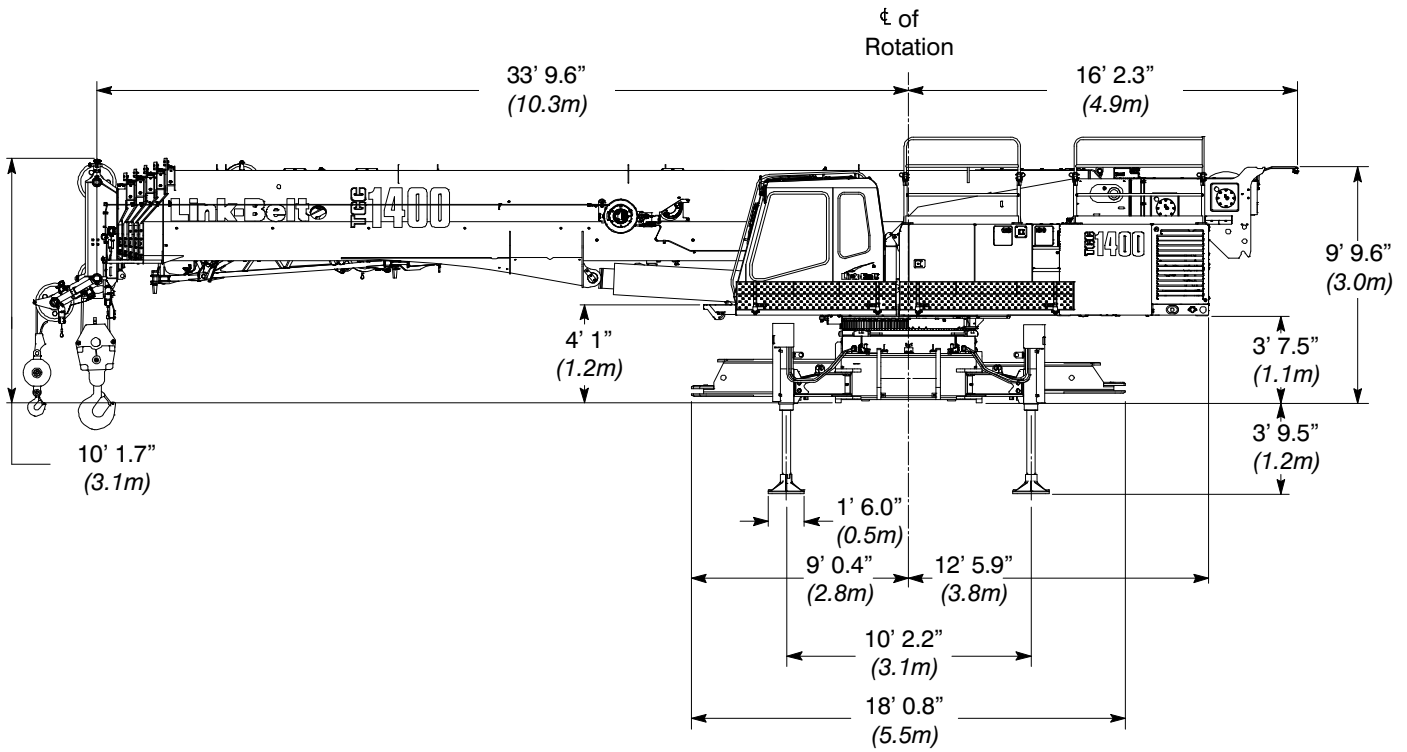




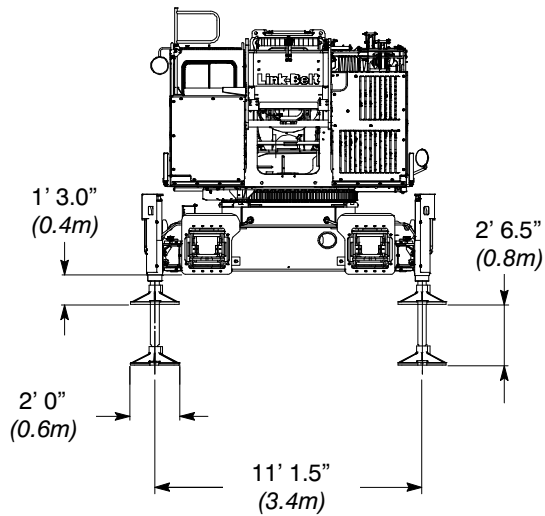
Extended Gauge

Intermediate Gauge

Retracted Gauge



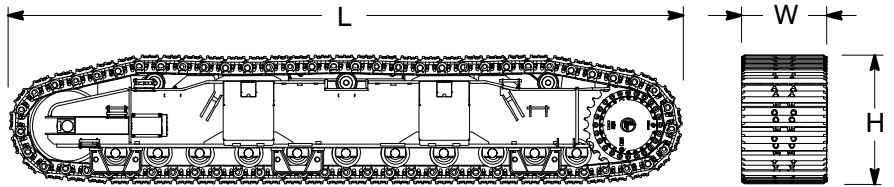
Jacks In Transport Position
Side Frames Removed
Upper Counterweight Removed
Lower Counterweight Removed



Side Frames

Side Frames ②

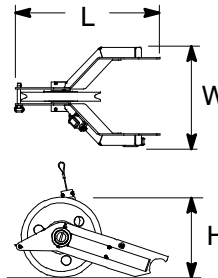
Length	280.06 in	(7.11m)
Width	35.43 in	(0.90m)
Height	53.50 in	(1.36m)
Weight	28,750 lb	(13 041kg)



Auxiliary Lifting Sheave

Auxiliary Lifting Sheave ①

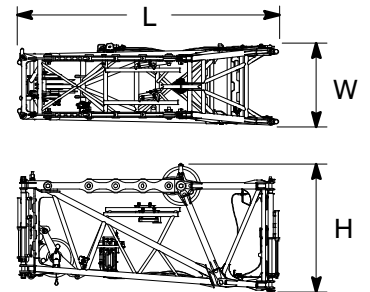
Length	11.28 in	(0.29m)
Width	5.59 in	(0.14m)
Height	4.75 in	(0.12m)
Weight	120 lb	(54kg)



Fly

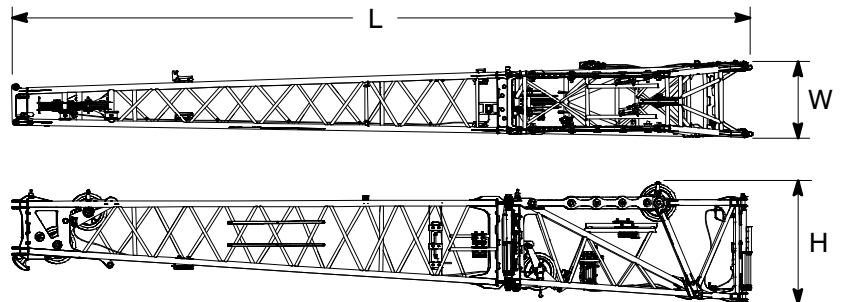
10 ft (3.0m) Fly Base ①

Length	10.59 ft	(3.23m)
Width	39.43 in	(1.00m)
Height	61.77 in	(1.57m)
Weight	1552 lb	(704kg)



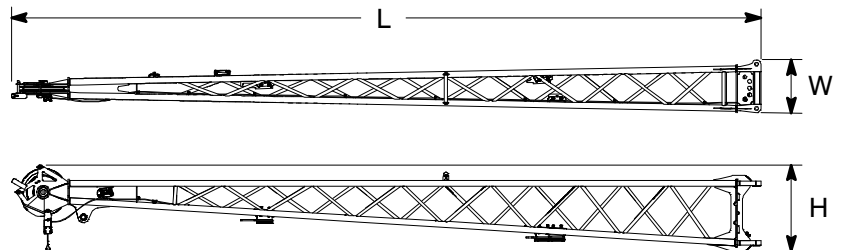
10–31 ft (3.0–9.4m) Two Piece Fly Base And Center ①

Length	31.95 ft	(9.7m)
Width	39.43 in	(1.0m)
Height	61.77 in	(1.57m)
Weight	2,755 lb	(1 249.6kg)



24 ft (7.3) Fly Tip (Addition To Fly Base And Center For 10–31–55 ft (3.0–9.4–16.7m) Bi-fold Fly) ①

Length	25.22 ft	(7.69m)
Width	30.38 in	(0.77m)
Height	34.66 in	(0.88m)
Weight	703.7 lb	(319.2kg)



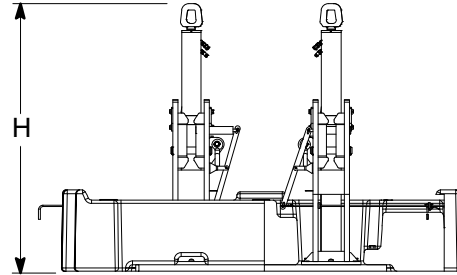
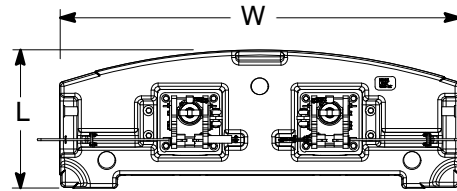
Number inside black circle "①" = # of components

* – Optional equipment

Counterweights

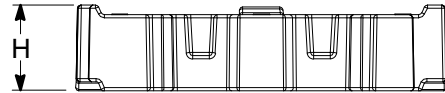
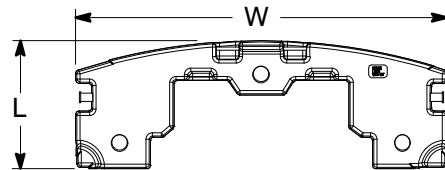
“A” Counterweight ①

Length	40.64 in	(1.03m)
Width	9 ft 10 in	(3.00m)
Height	6 ft 7.0 in	(2.00m)
Weight	19,000 lb	(8 618kg)



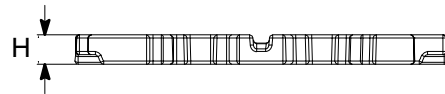
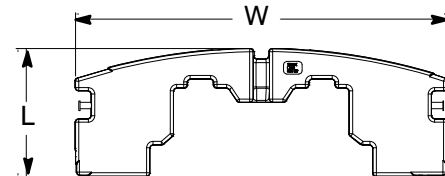
“B” & “C” Counterweights ②

Length	40.7 in	(1.03m)
Width	9 ft 10 in	(3.00m)
Height	27.20 in	(0.69m)
Weight	16,000 lb	(7 257kg)



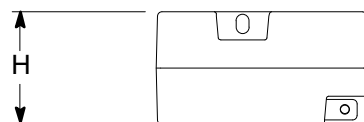
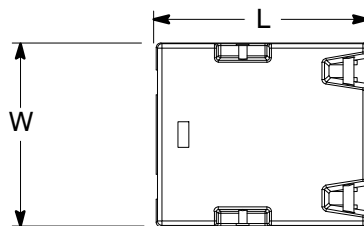
“D” Counterweight ①

Length	40.7 in	(1.03m)
Width	9 ft 10 in	(3.00m)
Height	9.3 in	(0.24m)
Weight	6,000 lb	(2 721kg)



“A” Carbody Counterweights ②

Length	49.0 in	(1.24m)
Width	42.5 in	(1.08m)
Height	26.0 in	(0.66m)
Weight	12,500 lb	(5 670kg)



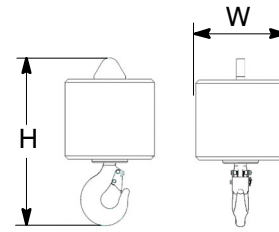
Number inside black circle “①” = # of components

* – Optional equipment

Hook Balls

12 Ton (10.9mt) Swivel Hook Ball* ①

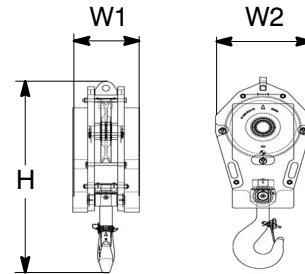
Width	15.75 in	(0.40m)
Height	29.65 in	(0.75m)
Weight	722 lb	(327kg)



Hook Blocks

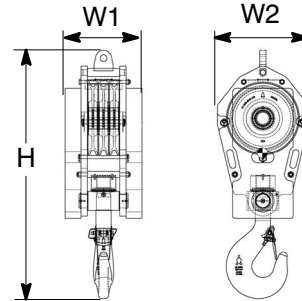
40 Ton (37mt) 1–Sheave Hook Block* ①

Width1	15.75 in	(0.40m)
Width2	22.38 in	(0.57m)
Height	55.22 in	(1.42m)
Weight	1,500 lb	(682kg)



75 Ton (68mt) 3–Sheave Hook Block* ①

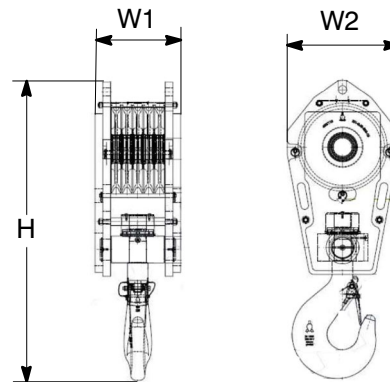
Width1	19 in	(0.48m)
Width2	22.48 in	(0.57m)
Height	61.68 in	(1.57m)
Weight	2,000 lb	(909kg)



Number inside black circle “①” = # of components
 * – Optional equipment

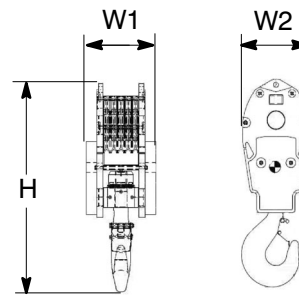
90 Ton (82mt) 5–Sheave Hook Block* ①

Width1	17.22 in	(0.44m)
Width2	22.62 in	(0.57m)
Height	61.36 in	(1.56m)
Weight	1,750 lb	(795kg)

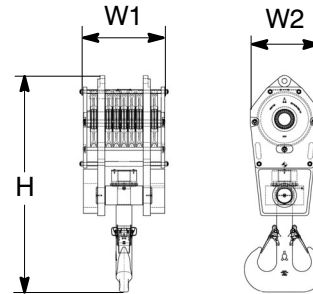


120 Ton (109mt)**5–Sheave Hook Block* ①**

Width1	22.05 in	(0.58m)
Width2	22.91 in	(0.56m)
Height	65.94 in	(1.67m)
Weight	2,500 lb	(1133.98kg)

**160 Ton (146.0mt)****7–Sheave Hook Block* ①**

Width1	26.72 in	(0.68m)
Width2	22.42 in	(0.57m)
Height	71.42 in	(1.84m)
Weight	3,200 lb	(1 815kg)



Number inside black circle “①” = # of components

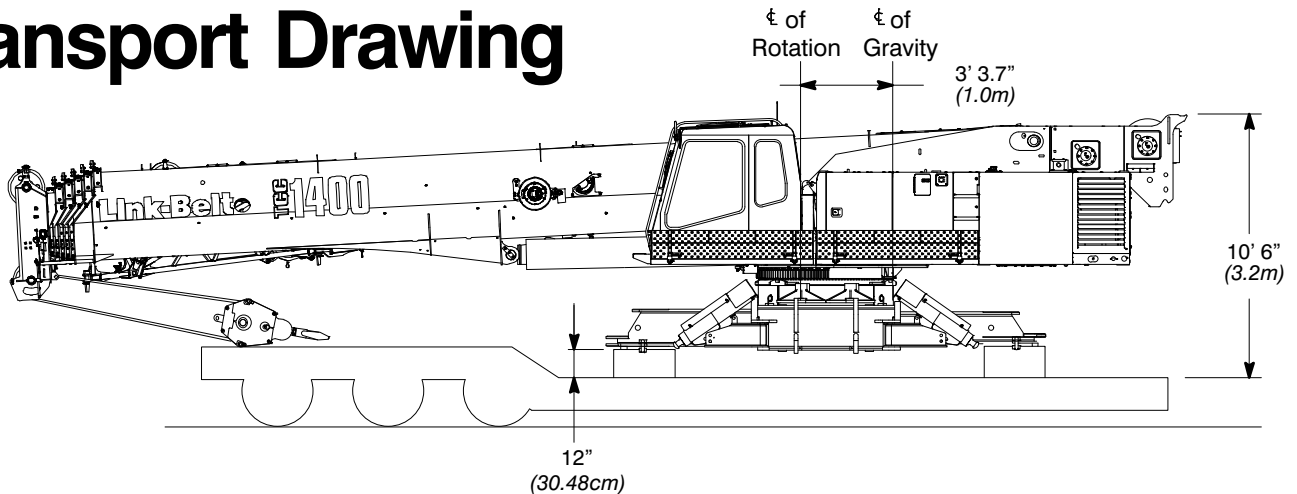
* – Optional equipment

Working Weights

Option	Description	Gross Weight lb (kg)	Ground Bearing Pressure (on soft ground) psi (kg/cm ²)
1	Base crane, "ABCD" counterweight, 2 piece carbody counterweight, 900 ft (274.3m) type "ZB" main wire rope, 600 ft (182.9m) type "ZB" auxiliary wire rope, 2–piece fly, 80 ton (72.6mt) 5 sheave hook block, and 12 ton (10.89mt) hook ball. and a 200 lb (90.7kg) operator.	233,300 (105 823kg)	13.94 (0.98)

Notes: Ground bearing pressure is based on the total weight distributed evenly over the track contact area.

Transport Drawing



Transport Weight – 93,600 lb (42 456kg)

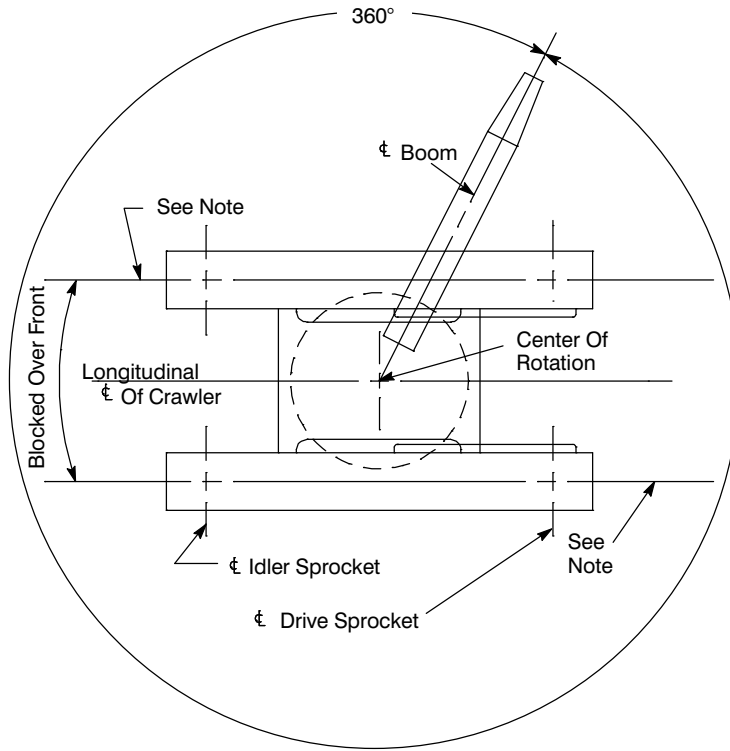
Base crane, 900 ft (274.32m) type "ZB" main wire rope, 600 ft (182.88m) type "ZB" auxiliary wire rope, 2–piece fly, 80 ton (72.6mt) 5 sheave hook block, and 12 ton (10.89mt) hook ball

Load Hoist Performance

Main (Rear) and Auxiliary (Front) Winches – 7/8 in (22mm) Rope										
Layer	Maximum Line Pull		Normal Line Speed		High Line Speed		Layer		Total	
	lb	kg	ft/min	m/min	ft/min	m/min	ft	m	ft	m
1	22,380	10,151.4	174	53.0	348	106.1	125	38.1	125	38.1
2	20,194	9,159.8	193	58.8	386	117.7	138	42.1	263	80.2
3	18,397	8,344.7	212	64.6	424	129.2	152	46.3	415	126.5
4	16,893	7,662.5	230	70.1	461	140.5	165	50.3	580	176.8
5	15,617	7,083.8	249	75.9	499	152.1	179	54.6	758	231.0
6	14,520	6,586.2	268	81.7	537	163.7	192	58.5	951	289.9

Wire Rope Application		Diameter		Type	Maximum Permissible Load	
		in	mm		lb	kg
Main (Rear) Winch	Standard	7/8	22	36x7 rotation resistant – right regular lay or right lang lay (Type ZB)	20,920	9 489.2
	Optional	7/8	22	18x19 rotation resistant – right regular lay or right lang lay (Type RB)	17,520	7 946.9
Auxiliary (Front) Winch	Standard	7/8	22	36x7 rotation resistant – right regular lay (Type ZB)	20,920	9 989.2
	Optional	7/8	22	18x19 rotation resistant – right regular lay (Type RB)	17,520	7 946.9

Working Areas



Note: These Lines Determine The Limiting Position Of Any Load For Operation Within Working Areas Indicated.

Boom Extend Modes

Boom Length		Telescope Length				
ft	m	T5	T4	T3	T2	T1
42.3	12.88					
55	16.8	44%				
70	21.3	96%				
85	25.9	100%	46%			
100	30.5	100%	97%			
115	35.1	100%	100%	46%		
130	39.6	100%	100%	95%		
145	44.2	100%	100%	100%	43%	
160	48.8	100%	100%	100%	90%	
175	53.3	100%	100%	100%	100%	37%
185	56.4	100%	100%	100%	100%	68%
195.4	59.52	100%	100%	100%	100%	100%

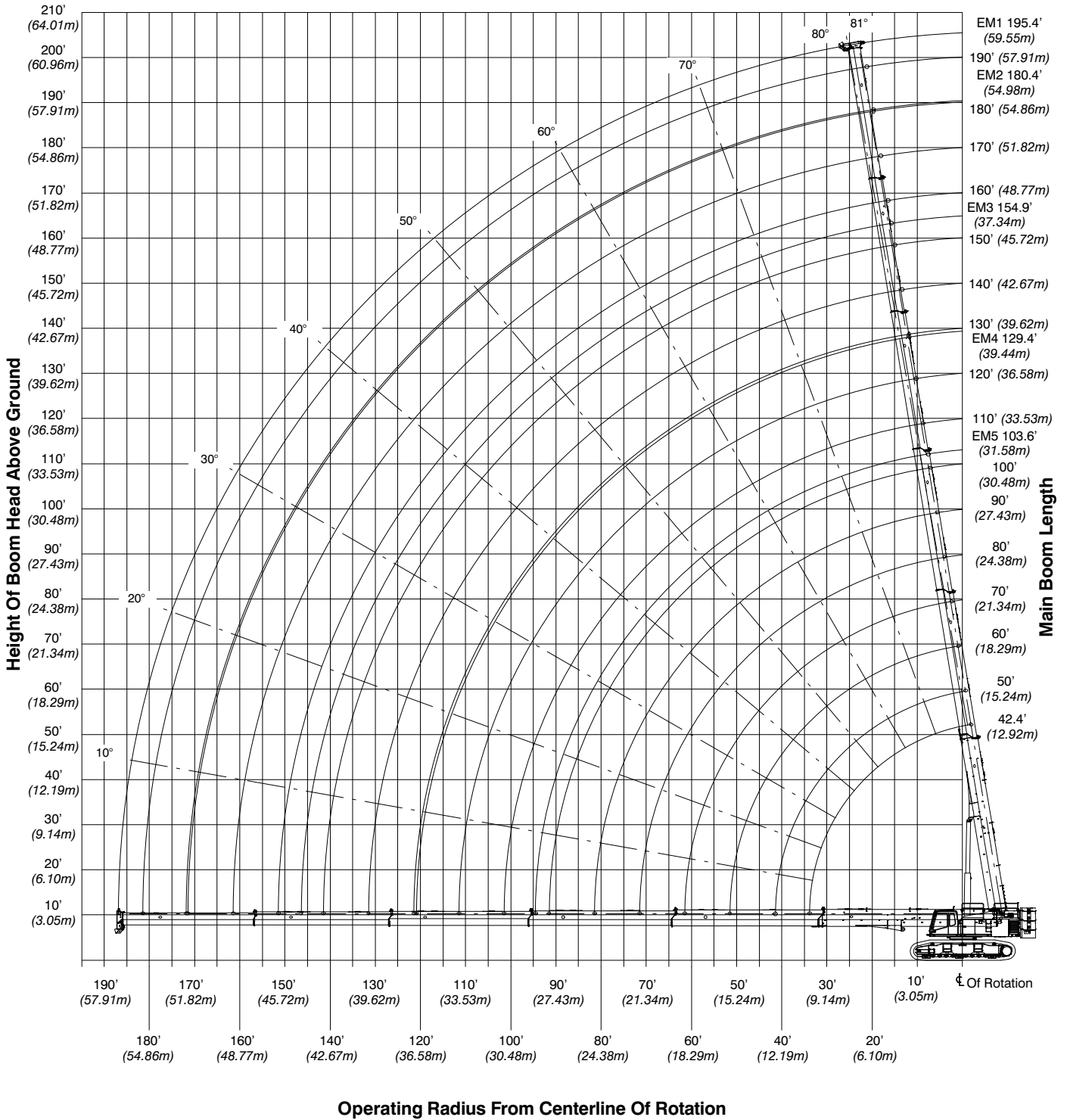
Boom Length		Telescope Length				
ft	m	T5	T4	T3	T2	T1
42.3	12.88					
55	16.8	44%				
70	21.3	90%	6%			
85	25.9	90%	57%			
100	30.5	90%	90%	17%		
115	35.1	90%	90%	66%		
130	39.6	90%	90%	90%	24%	
145	44.2	90%	90%	90%	71%	
160	48.8	90%	90%	90%	90%	28%
170	51.8	90%	90%	90%	90%	59%
180.3	54.94	90%	90%	90%	90%	91%

Boom Length		Telescope Length				
ft	m	T5	T4	T3	T2	T1
42.3	12.88					
55	16.8	44%				
70	21.3	46%	47%	1%		
85	25.9	46%	47%	50%		
100	30.5	46%	47%	90%	9%	
115	35.1	46%	47%	90%	457%	
130	39.6	46%	47%	90%	90%	13%
145	44.2	46%	47%	90%	90%	60%
155	47.23	46%	47%	90%	90%	91%

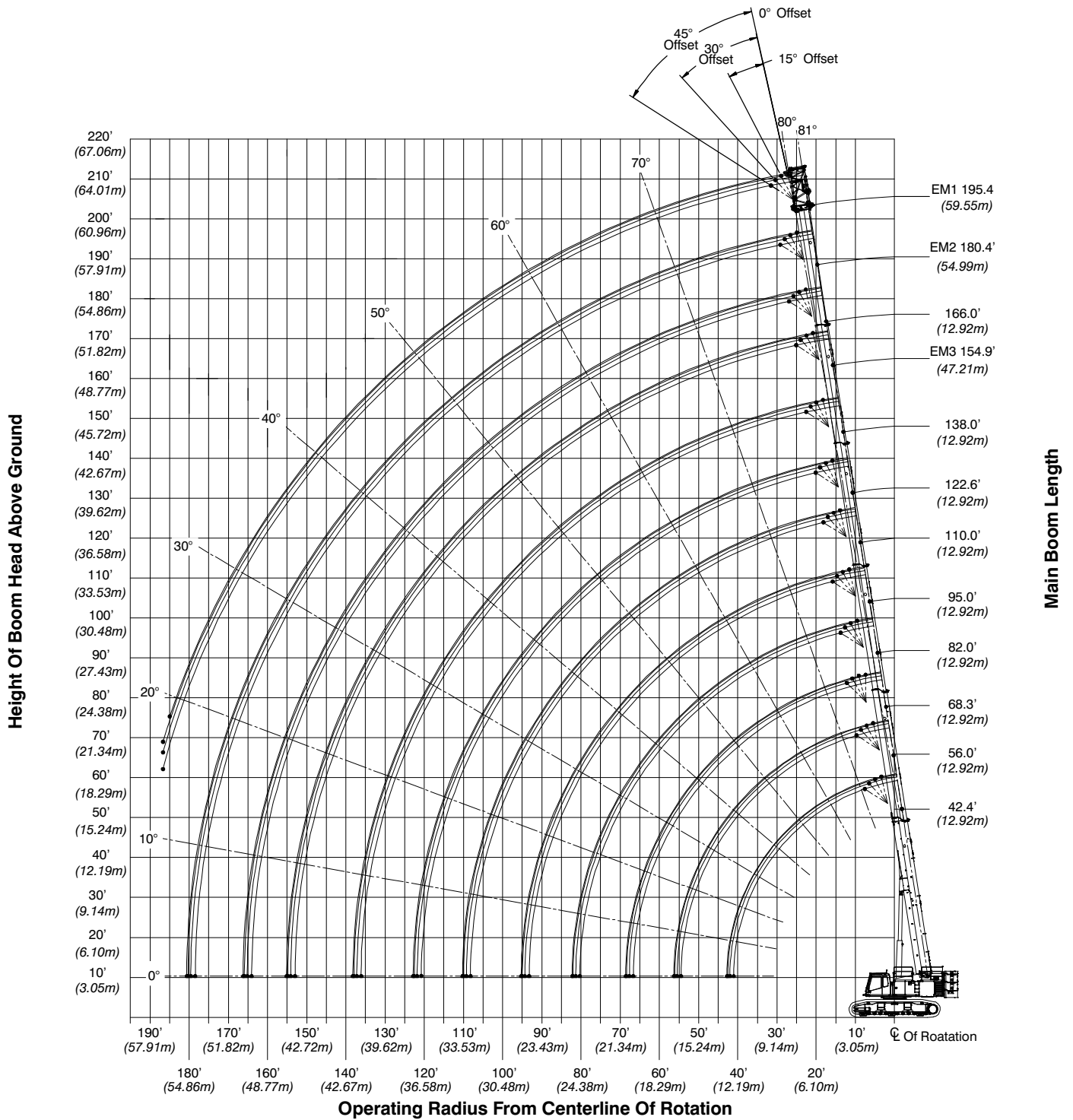
Boom Length		Telescope Length				
ft	m	T5	T4	T3	T2	T1
42.3	12.88					
55	16.8	44%				
70	21.3	46%	47%	1%		
85	25.9	46%	47%	49%	2%	
100	30.5	46%	47%	49%	49%	
115	35.1	46%	47%	49%	50%	46%
129.6	39.49	46%	47%	49%	50%	91%

Boom Length		Telescope Length				
ft	m	T5	T4	T3	T2	T1
42.3	12.88					
56.4	17.18	0%	47%			
71.3	21.72	0%	47%	49%		
87.1	26.53	0%	47%	49%	50%	
103.7	31.61	0%	47%	49%	50%	51%

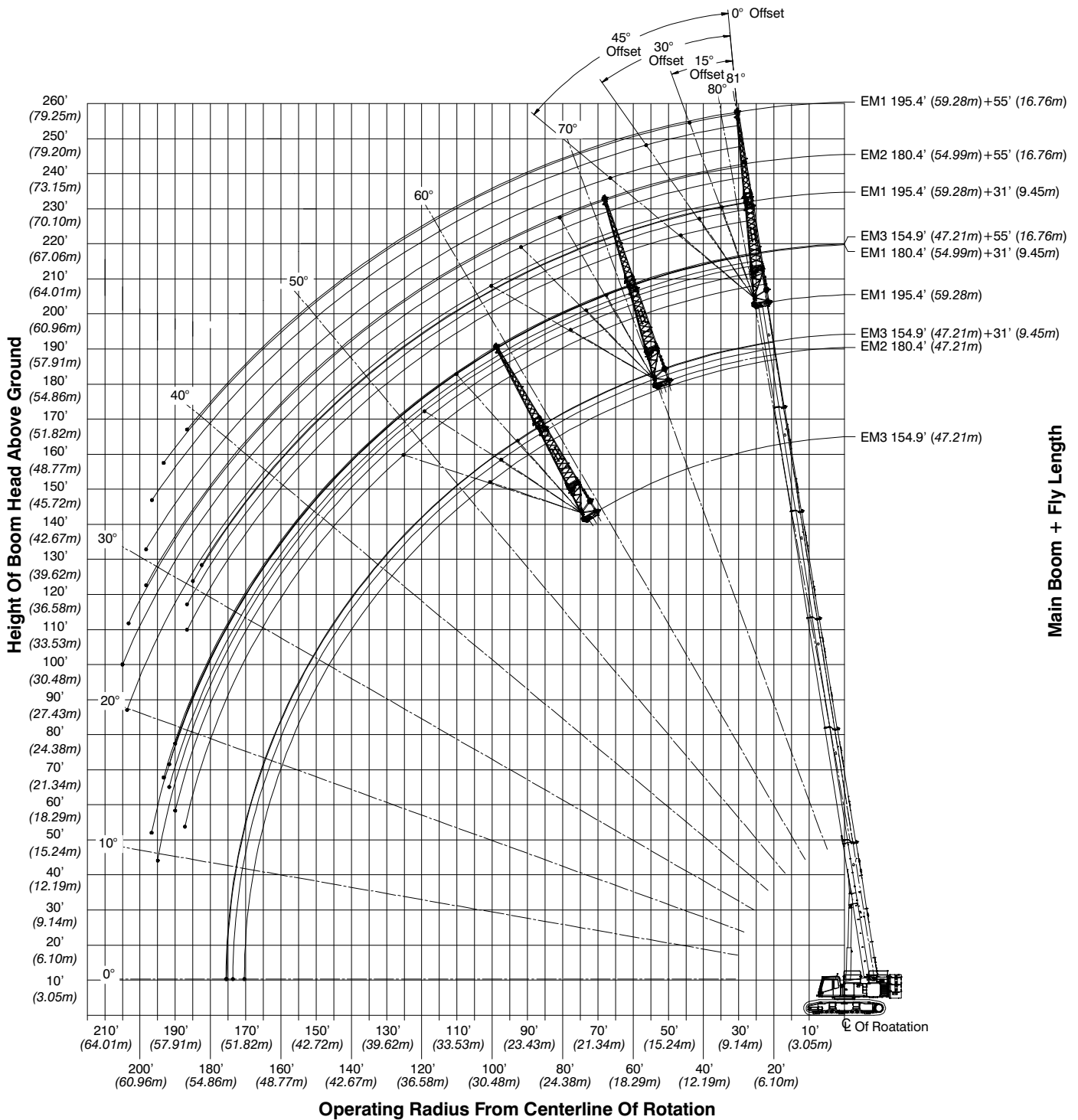
Working Range Diagrams Main Boom



195.4' Main Boom + 10' Fly



180' Main Boom + 10, 31-55' Fly



Main Boom Load Charts – Imperial

Main Boom Lift Capacity Chart - 360° Rotation - Fully Extended Tracks ABCD+A [82,000 lb Counterweight] [All capacities are listed in lb]													
Load Radius (ft)	Main Boom												
	42.4	55.5–56.4	68.3–71.3	82–87	95–103.6	110–116	122.6–125.6	129.4–131.6	138–141	147–154.9	163.1–166	179–180.4	195.4
8.0	280,000												
9.0	269,800												
10.0	258,700	168,500	157,800										
12.0	226,400	168,500	157,800										
15.0	181,100	168,500	147,700	120,000									
20.0	133,800	137,100	127,300	110,700	93,500	75,400							
25.0	103,500	107,600	108,400	97,300	88,100	75,400	53,300	63,800					
30.0	76,600	81,200	81,500	81,100	77,900	75,400	47,700	61,300	50,000	38,800	26,700		
35.0		64,000	65,700	66,100	65,500	64,300	43,000	55,100	45,500	38,800	30,400	26,400	
40.0		52,200	53,800	54,300	53,700	52,600	39,000	49,700	41,500	38,800	30,400	26,400	21,500
45.0		43,500	45,600	45,600	45,200	44,100	35,600	43,400	38,200	38,800	30,400	26,400	21,500
50.0			39,400	39,900	38,600	37,600	32,700	36,900	35,300	36,500	30,300	26,400	21,500
55.0			34,200	35,000	34,100	33,800	30,100	32,000	32,700	32,100	28,200	26,400	21,500
60.0			30,000	30,800	29,800	29,700	27,900	27,800	28,500	27,900	26,200	26,400	21,500
65.0				27,300	27,600	27,700	25,800	24,400	25,100	24,500	24,500	25,500	21,500
70.0				24,400	24,700	24,900	23,300	21,900	23,200	22,200	23,000	22,600	21,500
75.0				21,900	22,500	22,400	21,800	20,500	21,800	20,700	20,800	20,200	20,200
80.0					20,300	20,300	20,000	19,300	19,600	19,500	18,700	18,800	18,100
85.0					18,500	18,400	18,200	18,200	17,800	18,000	17,000	17,200	16,600
90.0					16,900	16,900	16,700	16,900	16,300	16,500	15,400	15,500	14,900
95.0						15,400	15,200	15,400	14,800	15,000	14,500	14,100	13,500
100.0						14,100	13,900	14,100	13,500	13,700	13,400	12,800	12,200
105.0						13,000	12,700	12,900	12,400	12,600	12,300	11,600	11,100
110.0							11,700	11,900	11,300	11,500	11,200	10,600	10,000
115.0							9,100	11,000	10,400	10,600	10,300	9,600	9,100
120.0								10,100	9,500	9,700	9,400	8,800	8,200
125.0									8,700	8,900	8,600	8,000	7,400
130.0									6,100	8,200	7,900	7,300	6,700
135.0										7,600	7,200	6,600	6,000
140.0										6,500	6,600	6,000	5,400
145.0										3,800	6,100	5,400	4,900
150.0											5,500	4,900	4,300
155.0											4,300	4,400	3,800
160.0												4,000	3,400
165.0												3,500	3,000
170.0												3,200	2,600
175.0													2,200
180.0													1,900
185.0													1,600

This material is supplied for reference use only. Operator must refer to in-cab Crane Rating Manual and Operator's Manual to determine allowable crane lifting capacities and assembly and operating procedures.

Fly Attachment Load Charts – Imperial

Main Boom + 10' Offset Fly Lift Capacity Chart - 360° Rotation - Fully Extended Tracks ABCD+A [82,000 lb Counterweight] [All capacities are listed in lb]													
Load Radius (ft)	Boom Length (ft)												Load Radius (ft)
	42.4				82.0–86.0				122.6–125.6				
	0°	15°	30°	45°	0°	15°	30°	45°	0°	15°	30°	45°	
10.0	71,600	71,600	71,600	62,700									10.0
12.0	71,600	71,600	70,100	61,600	71,400								12.0
15.0	71,600	71,600	66,600	59,800	71,400	71,400							15.0
20.0	71,600	71,600	62,700	57,100	71,400	71,400	69,600	61,200					20.0
25.0	71,600	66,400	59,900	54,600	71,400	71,400	66,500	59,700	48,700	49,000			25.0
30.0	71,600	62,700	57,000	53,000	71,400	71,400	63,800	58,100	45,700	45,000	44,400	43,900	30.0
35.0	63,000	60,400	55,100		65,800	66,500	62,700	56,500	41,300	40,800	40,300	39,900	35.0
40.0	51,400	51,800			54,000	54,500	55,000	55,100	37,300	36,900	36,500	36,200	40.0
45.0					45,500	45,900	46,300	46,600	33,900	33,600	33,300	33,100	45.0
50.0					38,900	38,700	39,600	39,900	31,000	30,700	30,500	30,300	50.0
55.0					34,300	45,900	34,500	34,700	28,400	28,200	28,000	27,900	55.0
60.0					30,600	30,900	30,800	30,600	26,100	26,000	25,900	25,800	60.0
65.0					27,200	27,400	27,600	17,800	24,200	24,000	23,900	23,900	65.0
70.0					24,300	24,500	24,600		22,400	22,300	22,200	22,200	70.0
75.0					21,800	22,000	22,100		20,500	20,300	20,400	20,600	75.0
80.0					19,700	19,800			19,100	19,000	19,000	18,900	80.0
85.0					17,100	14,300			17,700	17,900	17,800	17,800	85.0
90.0									16,200	16,400	16,500	16,600	90.0
95.0									14,800	14,900	15,100	13,500	95.0
100.0									13,500	13,600	13,700		100.0
105.0									12,400	12,500	12,600		105.0
110.0									11,300	11,400	11,500		110.0
115.0									10,400	10,500			115.0
120.0									9,600	9,600			120.0
125.0									7,200				125.0

This material is supplied for reference use only. Operator must refer to in-cab Crane Rating Manual and Operator's Manual to determine allowable crane lifting capacities and assembly and operating procedures.

Main Boom +10' Offset Fly Lift Capacity Chart - 360° Rotation - Fully Extended Tracks									
ABCD+A [82,000 lb Counterweight]									
[All capacities are listed in lb]									
Load Radius (ft)	Boom Length (ft)								Load Radius (ft)
	163.1–166				195.4				
	0°	15°	30°	45°	0°	15°	30°	45°	
35.0	26,600	27,100							35.0
40.0	26,600	27,100	28,500	29,000	8,100				40.0
45.0	26,600	27,100	28,500	29,000	8,100	8,200	8,600		45.0
50.0	26,600	27,100	28,500	28,300	8,100	8,200	8,600	9,100	50.0
55.0	26,600	26,600	26,400	26,200	8,100	8,200	8,600	9,100	55.0
60.0	24,800	24,700	24,500	24,400	8,100	8,200	8,600	9,100	60.0
65.0	23,100	22,900	22,800	22,700	8,100	8,200	8,600	9,100	65.0
70.0	21,500	21,400	21,300	21,200	8,100	8,200	8,600	9,100	70.0
75.0	19,900	20,200	20,100	20,000	8,100	8,200	8,600	9,100	75.0
80.0	17,800	18,100	18,300	18,500	8,100	8,200	8,600	9,100	80.0
85.0	16,300	16,500	16,700	16,800	8,100	8,200	8,600	9,100	85.0
90.0	14,600	14,900	15,000	15,200	8,100	8,200	8,600	9,100	90.0
95.0	13,200	13,400	13,600	13,700	8,100	8,200	8,600	8,700	95.0
100.0	12,000	12,100	12,300	12,400	7,700	7,900	8,000	8,000	100.0
105.0	10,800	11,000	11,100	11,200	7,100	7,200	7,300	7,400	105.0
110.0	9,800	10,000	10,100	10,200	6,600	6,700	6,700	6,800	110.0
115.0	8,900	9,000	9,100	9,200	6,000	6,100	6,200	6,300	115.0
120.0	8,000	8,200	8,300	8,300	5,500	5,600	5,700	5,700	120.0
125.0	7,300	7,400	7,500	7,500	5,000	5,100	5,200	5,200	125.0
130.0	6,500	6,700	6,700		4,600	4,700	4,700	4,800	130.0
135.0	5,900	6,000	6,100		4,100	4,200	4,300	4,300	135.0
140.0	5,300	5,400	5,500		3,700	3,800	3,900	3,900	140.0
145.0	4,700	4,800	4,900		3,300	3,400	3,500	3,500	145.0
150.0	4,200	4,300	4,300		3,000	3,000	3,100	3,100	150.0
155.0	3,800	3,800			2,600	2,700	2,700		155.0
160.0	3,300	3,400			2,300	2,400	2,400		160.0
165.0	2,900				2,000	2,000	2,100		165.0
170.0	2,900				1,700	1,700	1,800		170.0
175.0	2,900				1,400	1,400	1,500		175.0
180.0	2,900				1,100	1,200			180.0

This material is supplied for reference use only. Operator must refer to in-cab Crane Rating Manual and Operator's Manual to determine allowable crane lifting capacities and assembly and operating procedures.

Main Boom +31' Offset Fly Lift Capacity Chart - 360° Rotation - Fully Extended Tracks									
ABCD+A [82,000 lb Counterweight]									
[All capacities are listed in lb]									
Load Radius (ft)	Boom Length (ft)								Load Radius (ft)
	180.4				195.4				
	0°	15°	30°	45°	0°	15°	30°	45°	
45.0	14,400				6,000				45.0
50.0	14,400				6,000	6,100			50.0
55.0	14,400	14,500			6,000	6,100			55.0
60.0	14,400	14,500			6,000	6,100	6,500		60.0
65.0	14,400	14,500	15,000		6,000	6,100	6,500	7,300	65.0
70.0	14,400	14,500	15,000	15,800	6,000	6,100	6,500	7,300	70.0
75.0	14,400	14,500	15,000	15,800	6,000	6,100	6,500	7,300	75.0
80.0	14,400	14,500	15,000	15,800	6,000	6,100	6,500	7,300	80.0
85.0	14,400	14,500	15,000	15,800	6,000	6,100	6,500	7,300	85.0
90.0	14,300	14,500	15,000	15,800	6,000	6,100	6,500	7,300	90.0
95.0	12,900	13,600	14,200	14,700	6,000	6,100	6,500	7,300	95.0
100.0	11,600	12,300	12,800	13,300	6,000	6,100	6,500	7,300	100.0
105.0	10,500	11,100	11,600	12,000	6,000	6,100	6,500	7,100	105.0
110.0	9,400	10,000	10,500	10,800	6,000	6,100	6,500	6,700	110.0
115.0	8,500	9,000	9,500	9,800	5,800	6,100	6,200	6,200	115.0
120.0	7,700	8,200	8,600	8,900	5,300	6,100	5,800	5,800	120.0
125.0	6,900	7,400	7,700	8,000	4,800	5,600	5,400	5,400	125.0
130.0	6,200	6,600	7,000	7,200	4,300	5,100	4,900	5,000	130.0
135.0	5,500	5,900	6,200	6,400	3,900	4,600	4,400	4,600	135.0
140.0	4,900	5,300	5,600	5,800	3,500	4,200	4,000	4,100	140.0
145.0	4,400	4,700	5,000	5,100	3,100	3,800	3,600	3,700	145.0
150.0	3,800	4,200	4,400	4,500	2,800	3,400	3,200	3,300	150.0
155.0	3,400	3,700	3,900	4,000	2,400	3,000	2,800	2,900	155.0
160.0	2,900	3,200	3,400	3,500	2,100	2,700	2,500	2,600	160.0
165.0	2,500	2,800	2,900		1,800	2,300	2,100	2,200	165.0
170.0	2,100	2,300	2,500		1,500	2,000	1,800	1,900	170.0
175.0	1,700	1,900	2,100		1,200	1,400	1,500		175.0
180.0	1,400	1,600	1,700			1,100	1,200		180.0
185.0	1,100	1,200	1,300						185.0

This material is supplied for reference use only. Operator must refer to in-cab Crane Rating Manual and Operator's Manual to determine allowable crane lifting capacities and assembly and operating procedures.

Main Boom +55' Offset Fly Lift Capacity Chart - 360° Rotation - Fully Extended Tracks
ABCD+A [82,000 lb Counterweight]
 [All capacities are listed in lb]

Load Radius (ft)	Boom Length (ft)								Load Radius (ft)
	180.4				195.4				
	0°	15°	30°	45°	0°	15°	30°	45°	
50.0	10,700				4,300				50.0
55.0	10,700				4,300				55.0
60.0	10,700				4,300				60.0
65.0	10,700				4,300	4,400			65.0
70.0	10,700	10,900			4,300	4,400			70.0
75.0	10,700	10,900			4,300	4,400			75.0
80.0	10,700	10,900	9,700		4,300	4,400	4,900		80.0
85.0	10,700	10,900	9,600		4,300	4,400	4,900		85.0
90.0	10,700	10,900	9,400	8,400	4,300	4,400	4,900	5,900	90.0
95.0	10,700	10,800	9,300	8,300	4,300	4,400	4,900	5,900	95.0
100.0	10,700	10,600	9,100	8,200	4,300	4,400	4,900	5,900	100.0
105.0	10,700	10,400	9,000	8,100	4,300	4,400	4,900	5,900	105.0
110.0	10,100	10,200	8,900	8,100	4,300	4,400	4,900	5,900	110.0
115.0	9,100	10,000	8,800	8,000	4,300	4,400	4,900	5,900	115.0
120.0	8,300	9,200	8,600	7,900	4,300	4,400	4,900	5,800	120.0
125.0	7,500	8,300	8,500	7,900	4,300	4,400	4,900	5,500	125.0
130.0	6,800	7,600	8,200	7,800	4,300	4,400	4,900	5,100	130.0
135.0	6,100	6,900	7,500	7,800	4,100	4,400	4,700	4,800	135.0
140.0	5,500	6,200	6,800	7,200	3,700	4,200	4,300	4,500	140.0
145.0	4,900	5,600	6,100	6,500	3,300	3,800	4,000	4,200	145.0
150.0	4,400	5,000	5,500	5,900	3,000	3,500	3,700	3,900	150.0
155.0	3,900	4,500	5,000	5,300	2,600	3,100	3,500	3,600	155.0
160.0	3,500	4,000	4,500	4,700	2,300	2,800	3,100	3,300	160.0
165.0	3,100	3,600	4,000	4,200	2,000	2,400	2,700	3,000	165.0
170.0	2,700	3,100	3,500	3,700	1,700	2,100	2,400	2,600	170.0
175.0	2,300	2,700	3,100	3,200	1,400	1,800	2,100	2,300	175.0
180.0	1,900	2,300	2,600	2,800	1,200	1,500	1,800	1,900	180.0
185.0	1,600	2,000	2,200	2,300		1,300	1,500	1,600	185.0
190.0	1,300	1,600	1,900				1,200	1,300	190.0
195.0		1,300	1,300						195.0

This material is supplied for reference use only. Operator must refer to in-cab Crane Rating Manual and Operator's Manual to determine allowable crane lifting capacities and assembly and operating procedures.

Main Boom Load Charts – Metric – 75%

Main Boom Lift Capacity Chart - 360° Rotation - Fully Extended Tracks ABCD+A [37 194kg Counterweight] [All capacities are listed in kg]														
Load Radius (m)	Boom Length (m)													Load Radius (m)
	12.9	16.9–17.2	20.8–21.7	25–26.5	29–31.6	33.5–35.4	37.4–38.3	39.4–40.1	42.1–43	44.8–47.2	49.7–50.6	54.6–55	59.6	
2.5	127 000													2.5
3.0	118 100	76 400	71 550											3.0
3.5	107 200	76 400	71 550											3.5
4.0	94 000	76 400	71 550											4.0
4.5	83 500	76 400	67 500	54 400										4.5
5.0	74 900	76 300	64 150	54 400										5.0
6.0	61 750	63 200	58 250	50 650	42 400	34 200								6.0
7.0	52 150	53 650	53 400	46 450	42 200	34 200								7.0
8.0	43 300	45 100	45 500	42 800	38 700	34 200	23 500	29 000						8.0
9.0	35 650	37 350	37 850	37 700	35 700	34 200	21 850	27 800	22 650	17 550				9.0
10.0	30 000	32 050	32 850	32 950	32 700	32 100	20 400	26 200	21 500	17 550	13 750			10.0
12.0		24 200	24 950	25 200	24 950	24 400	17 900	22 850	19 100	17 550	13 750	12 000	9 750	12.0
14.0		19 100	20 050	20 050	19 900	19 400	15 900	19 100	17 050	17 550	13 750	12 000	9 750	14.0
16.0			16 600	16 900	16 500	16 000	14 250	15 600	15 400	15 650	13 250	12 000	9 750	16.0
18.0			13 900	14 300	13 850	13 750	12 800	12 950	13 250	13 000	12 050	12 000	9 750	18.0
20.0				12 200	12 350	12 350	11 550	10 900	11 200	10 950	11 050	11 400	9 750	20.0
22.0				10 550	10 750	10 800	10 250	9 650	10 250	9 750	10 050	9 750	9 750	22.0
24.0					9 450	9 450	9 300	8 900	9 150	9 000	8 700	8 750	8 400	24.0
26.0					8 300	8 300	8 200	8 200	8 000	8 100	7 700	7 750	7 450	26.0
28.0					7 400	7 400	7 300	7 400	7 150	7 250	6 850	6 800	6 500	28.0
30.0						6 600	6 500	6 600	6 300	6 400	6 250	6 000	5 700	30.0
32.0						5 900	5 750	5 850	5 600	5 700	5 550	5 250	5 000	32.0
34.0							5 150	5 250	5 000	5 100	4 950	4 650	4 400	34.0
36.0								4 700	4 450	4 550	4 400	4 100	3 850	36.0
38.0									4 000	4 050	3 900	3 650	3 400	38.0
40.0									2 700	3 650	3 500	3 200	2 950	40.0
42.0										3 300	3 100	2 800	2 600	42.0
44.0										1 750	2 750	2 500	2 250	44.0
46.0											2 450	2 150	1 900	46.0
48.0												1 900	1 650	48.0
50.0												1 650	1 400	50.0
52.0												1 150	1 150	52.0
54.0													950	54.0
56.0													750	56.0

This material is supplied for reference use only. Operator must refer to in-cab Crane Rating Manual and Operator's Manual to determine allowable crane lifting capacities and assembly and operating procedures.

Main Boom Load Charts – Metric CE

Main Boom Lift Capacity Chart - 360° Rotation - Fully Extended Tracks ABCD+A [37 194kg Counterweight] [All capacities are listed in kg]														
Load Radius (m)	Boom Length (m)													Load Radius (m)
	12.9	16.9–17.2	20.8–21.7	25–26.5	29–31.6	33.5–35.4	37.4–38.3	39.4–40.1	42.1–43	44.8–47.2	49.7–50.6	54.6–55	59.6	
2.5	127 000													2.5
3.0	118 100	76 400	71 550											3.0
3.5	107 200	76 400	71 550											3.5
4.0	94 000	76 400	71 250											4.0
4.5	83 500	76 400	67 500	54 400										4.5
5.0	74 900	76 300	64 150	54 400										5.0
6.0	61 750	63 200	58 250	50 650	42 400	34 200								6.0
7.0	52 150	53 650	53 400	46 450	42 200	34 200								7.0
8.0	44 850	46 400	46 850	42 800	38 700	34 200	23 500	29 000						8.0
9.0	37 350	39 300	39 900	37 700	35 700	34 200	21 850	27 800	22 650	17 550				9.0
10.0	31 350	33 650	34 550	34 750	33 250	32 650	20 400	26 200	21 500	17 550	13 750			10.0
12.0		25 300	26 150	26 400	26 200	25 600	17 900	22 850	19 100	17 550	13 750	12 000	9 750	12.0
14.0		19 850	20 950	20 950	20 800	20 250	15 900	19 850	17 050	17 550	13 750	12 000	9 750	14.0
16.0			17 250	17 550	16 900	16 400	14 250	16 050	15 400	15 900	13 250	12 000	9 750	16.0
18.0			14 400	14 850	14 350	14 200	12 800	13 300	13 700	13 400	12 050	12 000	9 750	18.0
20.0				12 600	12 450	12 500	11 600	11 100	11 500	11 200	11 050	11 650	9 750	20.0
22.0				10 850	10 950	11 000	10 250	9 650	10 250	9 750	10 100	9 950	9 750	22.0
24.0					9 700	9 650	9 450	8 900	9 350	9 000	8 850	8 750	8 400	24.0
26.0					8 500	8 450	8 350	8 200	8 150	8 250	7 750	7 700	7 500	26.0
28.0					7 500	7 500	7 350	7 500	7 200	7 300	6 850	6 800	6 500	28.0
30.0						6 600	6 500	6 600	6 300	6 450	6 250	5 950	5 650	30.0
32.0						5 900	5 750	5 850	5 550	5 650	5 500	5 200	4 900	32.0
34.0							5 100	5 200	4 900	5 000	4 850	4 500	4 250	34.0
36.0								4 650	4 350	4 450	4 300	3 950	3 650	36.0
38.0									3 850	3 950	3 750	3 450	3 150	38.0
40.0									2 350	3 500	3 300	3 000	2 700	40.0
42.0										3 100	2 900	2 550	2 300	42.0
44.0										1 350	2 550	2 200	1 900	44.0
46.0											2 200	1 850	1 600	46.0
48.0												1 550	1 300	48.0
50.0												1 300	1 000	50.0
52.0												700	750	52.0
54.0													950	54.0

This material is supplied for reference use only. Operator must refer to in-cab Crane Rating Manual and Operator's Manual to determine allowable crane lifting capacities and assembly and operating procedures.

Fly Attachment Load Charts – Metric – 75%

Main Boom + 3.1m Offset Fly Lift Capacity Chart - 360° Rotation - Fully Extended Tracks ABCD+A [37 194kg Counterweight] [All capacities are listed in kg]													
Load Radius (m)	Boom Length (m)												Load Radius (m)
	12.9				25.0–26.2				37.4–38.3				
	0°	15°	30°	45°	0°	15°	30°	45°	0°	15°	30°	45°	
3.0	32 450	32 450	32 450	28 450	32 400								3.0
3.5	32 450	32 450	32 100	28 100	32 400								3.5
4.0	32 450	32 450	31 150	27 600	32 400								4.0
4.5	32 450	32 450	30 300	27 150	32 400	32 400							4.5
5.0	32 450	32 450	29 500	26 750	32 400	32 400							5.0
6.0	32 450	32 450	28 450	25 950	32 400	32 400	31 650	27 850					6.0
7.0	32 450	31 100	27 850	25 200	32 400	32 400	30 700	27 350					7.0
8.0	32 450	29 550	26 800	24 550	32 400	32 400	29 850	26 900	22 100	22 200			8.0
9.0	32 450	28 450	25 950	24 100	32 400	32 400	29 050	26 450	20 950	20 600	20 350	20 100	9.0
10.0	31 400	28 050	25 300	23 850	32 400	32 400	28 450	25 900	19 450	19 200	19 000	18 900	10.0
12.0	23 900	24 100	24 200		25 050	25 300	25 550	25 050	17 100	16 950	16 750	16 650	12.0
14.0					20 000	20 200	20 400	20 500	15 100	14 950	14 850	14 750	14.0
16.0					16 400	16 600	16 700	16 800	13 450	13 350	13 250	13 200	16.0
18.0					14 250	14 350	14 150	14 100	12 050	11 950	11 900	11 850	18.0
20.0					12 100	12 250	12 300	8 000	10 850	10 800	10 750	10 700	20.0
22.0					10 500	10 600	10 600		9 650	9 750	9 750	9 750	22.0
24.0					9 150	9 200			8 800	8 800	8 750	8 700	24.0
26.0					7 700	6 450			8 050	8 050	8 750	8 050	26.0
28.0									7 100	7 200	8 050	7 250	28.0
30.0									6 300	6 350	7 250		30.0
32.0									5 600	5 650	6 400		32.0
34.0									5 000	5 050	5 700		34.0
36.0									4 500	4 500	5 050		36.0
38.0									3 300	3 350			38.0

This material is supplied for reference use only. Operator must refer to in-cab Crane Rating Manual and Operator's Manual to determine allowable crane lifting capacities and assembly and operating procedures.

Main Boom + 3.1m Offset Fly Capacity Chart - 360° Rotation - Fully Extended Tracks
ABCD+A [37 194kg Counterweight]
 [All capacities are listed in kg]

Load Radius (m)	Boom Length (m)								Load Radius (m)
	49.7–50.6				59.6				
	0°	15°	30°	45°	0°	15°	30°	45°	
10.0	12 050								10.0
12.0	12 050	12 350	12 900		3 650				12.0
14.0	12 050	12 350	12 900	13 200	3 650	3 750	3 900		14.0
16.0	12 050	12 350	12 400	12 350	3 650	3 750	3 900	4 150	16.0
18.0	11 450	11 350	11 250	11 200	3 650	3 750	3 900	4 150	18.0
20.0	10 400	10 300	10 250	10 200	3 650	3 750	3 900	4 150	20.0
22.0	9 450	9 450	9 450	9 400	3 650	3 750	3 900	4 150	22.0
24.0	8 300	8 450	8 550	8 600	3 650	3 750	3 900	4 150	24.0
26.0	7 300	7 450	7 500	7 600	3 650	3 750	3 900	4 150	26.0
28.0	6 400	6 500	6 550	6 600	3 650	3 750	3 900	4 100	28.0
30.0	5 600	5 700	5 750	5 800	3 600	3 650	3 700	3 750	30.0
32.0	4 900	5 000	5 050	5 100	3 250	3 300	3 350	3 350	32.0
34.0	4 300	4 400	4 450	4 450	2 900	2 950	3 000	3 000	34.0
36.0	3 800	3 850	3 900	3 900	2 600	2 650	2 650	2 700	36.0
38.0	3 300	3 350	3 400	3 450	2 300	2 350	2 350	2 400	38.0
40.0	2 900	2 950	3 000		2 000	2 050	2 100	2 100	40.0
42.0	2 500	2 550	2 600		1 750	1 800	1 850	1 850	42.0
44.0	2 200	2 200	2 250		1 550	1 550	1 600	1 600	44.0
46.0	1 850	1 900	1 900		1 300	1 350	1 400	1 400	46.0
48.0	1 600	1 650			1 100	1 150	1 150		48.0
50.0	1 350	1 400			900	950	950		50.0
52.0					750	750	800		52.0
54.0					600	600	600		54.0

This material is supplied for reference use only. Operator must refer to in-cab Crane Rating Manual and Operator's Manual to determine allowable crane lifting capacities and assembly and operating procedures.

Main Boom + 9.5m Offset Fly Capacity Chart - 360° Rotation - Fully Extended Tracks
ABCD+A [37 194kg Counterweight]
 [All capacities are listed in kg]

Load Radius (m)	Boom Length (m)								Load Radius (m)
	55				59.6				
	0°	15°	30°	45°	0°	15°	30°	45°	
12.0	6 500				2 700				12.0
14.0	6 500				2 700				14.0
16.0	6 500	6 550			2 700	2 750			16.0
18.0	6 500	6 550			2 700	2 750	2 950		18.0
20.0	6 500	6 550	6 800		2 700	2 750	2 950	3 300	20.0
22.0	6 500	6 550	6 800	7 200	2 700	2 750	2 950	3 300	22.0
24.0	6 500	6 550	6 800	7 200	2 700	2 750	2 950	3 300	24.0
26.0	6 500	6 550	6 800	7 200	2 700	2 750	2 950	3 300	26.0
28.0	6 250	6 550	6 800	7 100	2 700	2 750	2 950	3 300	28.0
30.0	5 450	5 750	6 000	6 200	2 700	2 750	2 950	3 300	30.0
32.0	4 750	5 050	5 250	5 450	2 700	2 750	2 950	3 200	32.0
34.0	4 150	4 400	4 600	4 750	2 700	2 750	2 950	2 950	34.0
36.0	3 600	3 850	4 050	4 150	2 450	2 600	2 700	2 700	36.0
38.0	3 150	3 350	3 550	3 650	2 200	2 350	2 450	2 500	38.0
40.0	2 700	2 900	3 050	3 150	1 900	2 050	2 150	2 250	40.0
42.0	2 350	2 500	2 650	2 750	1 650	1 800	1 900	1 950	42.0
44.0	2 000	2 150	2 300	2 350	1 450	1 550	1 650	1 700	44.0
46.0	1 700	1 850	1 950	2 000	1 200	1 350	1 400	1 450	46.0
48.0	1 400	1 550	1 650	1 700	1 000	1 150	1 200	1 250	48.0
50.0	1 150	1 300	1 350		850	950	1 000	1 050	50.0
52.0	950	1 050	1 100		650	750	800	850	52.0
54.0	700	800	850		500	550	600		54.0
56.0	500	600	650						56.0

This material is supplied for reference use only. Operator must refer to in-cab Crane Rating Manual and Operator's Manual to determine allowable crane lifting capacities and assembly and operating procedures.

Main Boom + 16.8m Offset Fly Capacity Chart - 360° Rotation - Fully Extended Tracks
ABCD+A [37 194kg Counterweight]
 [All capacities are listed in kg]

Load Radius (m)	Boom Length (m)								Load Radius (m)
	55				59.6				
	0°	15°	30°	45°	0°	15°	30°	45°	
16.0	4 850				1 950				16.0
18.0	4 850				1 950				18.0
20.0	4 850				1 950	2 000			20.0
22.0	4 850	4 950			1 950	2 000			22.0
24.0	4 850	4 950			1 950	2 000	2 250		24.0
26.0	4 850	4 950	4 350		1 950	2 000	2 250		26.0
28.0	4 850	4 950	4 250	3 800	1 950	2 000	2 250	2 650	28.0
30.0	4 850	4 800	4 150	3 750	1 950	2 000	2 250	2 650	30.0
32.0	4 850	4 700	4 100	3 700	1 950	2 000	2 250	2 650	32.0
34.0	4 400	4 600	4 000	3 650	1 950	2 000	2 250	2 650	34.0
36.0	3 900	4 300	3 950	3 600	1 950	2 000	2 250	2 650	36.0
38.0	3 400	3 800	3 850	3 550	1 950	2 000	2 250	2 500	38.0
40.0	3 000	3 350	3 650	3 550	1 950	2 000	2 250	2 300	40.0
42.0	2 600	2 950	3 200	3 400	1 750	1 950	2 050	2 100	42.0
44.0	2 250	2 550	2 800	3 000	1 550	1 750	1 850	1 900	44.0
46.0	1 950	2 250	2 450	2 600	1 300	1 550	1 650	1 750	46.0
48.0	1 700	1 950	2 150	2 250	1 150	1 300	1 500	1 550	48.0
50.0	1 400	1 650	1 850	1 950	950	1 150	1 250	1 350	50.0
52.0	1 200	1 400	1 550	1 650	750	950	1 100	1 150	52.0
54.0	950	1 150	1 300	1 350	600	750	900	950	54.0
56.0	750	950	1 050	1 100		600	700	750	56.0
58.0	600	750	850				550	600	58.0
60.0		550	600						60.0

This material is supplied for reference use only. Operator must refer to in-cab Crane Rating Manual and Operator's Manual to determine allowable crane lifting capacities and assembly and operating procedures.

Fly Attachment Load Charts – Metric CE

Main Boom + 3.1m Offset Fly Lift Capacity Chart - 360° Rotation - Fully Extended Tracks ABCD+A [37 194kg Counterweight] [All capacities are listed in kg]													
Load Radius (m)	Boom Length (m)												Load Radius (m)
	12.9				25–26.2				37.4–38.3				
	0°	15°	30°	45°	0°	15°	30°	45°	0°	15°	30°	45°	
3.0	32 450	32 450	32 450	28 450	32 400								3.0
3.5	32 450	32 450	32 100	28 100	32 400								3.5
4.0	32 450	32 450	31 150	27 600	32 400								4.0
4.5	32 450	32 450	30 300	27 150	32 400	32 400							4.5
5.0	32 450	32 450	29 500	26 750	32 400	32 400							5.0
6.0	32 450	32 450	28 450	25 950	32 400	32 400	31 650	27 850					6.0
7.0	32 450	31 100	27 850	25 200	32 400	32 400	30 700	27 350					7.0
8.0	32 450	29 550	26 800	24 550	32 400	32 400	29 850	26 900	22 100	22 200			8.0
9.0	32 450	28 450	25 950	24 100	32 400	32 400	29 050	26 450	20 950	20 600	20 350	20 100	9.0
10.0	31 400	28 050	25 300	23 850	32 400	32 400	28 450	25 900	19 450	19 200	19 000	18 900	10.0
12.0	23 900	25 100	24 750		26 300	26 600	26 850	25 050	17 100	16 950	16 750	16 650	12.0
14.0					20 900	21 150	21 350	21 500	15 100	14 950	14 850	14 750	14.0
16.0					17 100	17 250	17 400	17 500	13 450	13 350	13 250	13 200	16.0
18.0					14 650	14 400	14 550	14 650	12 050	11 950	11 900	11 850	18.0
20.0					12 550	12 650	12 750	8 000	10 850	10 800	10 750	10 700	20.0
22.0					10 800	10 850	10 900		9 800	9 800	9 750	9 750	22.0
24.0					9 350	9 400			8 800	8 800	8 750	8 700	24.0
26.0					7 800	6 450			8 100	8 050	8 050	8 050	26.0
28.0									7 150	7 250	7 300	7 350	28.0
30.0									6 300	6 350	6 400		30.0
32.0									5 550	5 600	5 650		32.0
34.0									4 900	4 950	5 000		34.0
36.0									4 350	4 400			36.0
38.0									3 050	3 050			38.0

This material is supplied for reference use only. Operator must refer to in-cab Crane Rating Manual and Operator's Manual to determine allowable crane lifting capacities and assembly and operating procedures.

Main Boom + 3.1m Offset Fly Capacity Chart - 360° Rotation - Fully Extended Tracks
ABCD+A [37 194kg Counterweight]
 [All capacities are listed in kg]

Load Radius (m)	Boom Length (m)								Load Radius (m)
	49.7–50.6				59.6				
	0°	15°	30°	45°	0°	15°	30°	45°	
10.0	12 050	4 850	5 050						10.0
12.0	12 050	12 350	12 900	5 350	3 650				12.0
14.0	12 050	12 350	12 900	13 200	3 650	3 750	3 900		14.0
16.0	12 050	12 350	12 400	12 350	3 650	3 750	3 900	4 150	16.0
18.0	11 450	11 350	11 250	11 200	3 650	3 750	3 900	4 150	18.0
20.0	10 400	10 300	10 250	10 200	3 650	3 750	3 900	4 150	20.0
22.0	9 450	9 450	9 450	9 400	3 650	3 750	3 900	4 150	22.0
24.0	8 400	8 550	8 650	8 650	3 650	3 750	3 900	4 150	24.0
26.0	7 350	7 450	7 550	7 650	3 650	3 750	3 900	4 150	26.0
28.0	6 350	6 450	6 550	6 600	3 650	3 750	3 900	4 100	28.0
30.0	5 500	5 600	5 700	5 750	3 600	3 650	3 700	3 750	30.0
32.0	4 750	4 850	4 950	5 000	3 250	3 300	3 350	3 350	32.0
34.0	4 100	4 200	4 250	4 300	2 900	2 950	3 000	3 000	34.0
36.0	3 550	3 650	3 700	3 750	2 600	2 650	2 650	2 700	36.0
38.0	3 050	3 100	3 150	3 200	2 300	2 350	2 350	2 400	38.0
40.0	2 600	2 650	2 700		2 000	2 050	2 100	2 100	40.0
42.0	2 200	2 250	2 300		1 750	1 800	1 850	1 850	42.0
44.0	1 850	1 900	1 900		1 550	1 550	1 600	1 600	44.0
46.0	1 500	1 550	1 600		1 250	1 300	1 300	1 350	46.0
48.0	1 250	1 250			950	1 000	1 000		48.0
50.0	950	1 000			650	700	750		50.0

This material is supplied for reference use only. Operator must refer to in-cab Crane Rating Manual and Operator's Manual to determine allowable crane lifting capacities and assembly and operating procedures.

Main Boom + 9.5m Offset Fly Capacity Chart - 360° Rotation - Fully Extended Tracks
ABCD+A [37 194kg Counterweight]
 [All capacities are listed in kg]

Load Radius (m)	Boom Length (m)								Load Radius (m)
	55				59.6				
	0°	15°	30°	45°	0°	15°	30°	45°	
12.0	6 500				2 700				12.0
14.0	6 500				2 700				14.0
16.0	6 500	6 550			2 700	2 750			16.0
18.0	6 500	6 550			2 700	2 750	2 950		18.0
20.0	6 500	6 550	6 800		2 700	2 750	2 950	3 300	20.0
22.0	6 500	6 550	6 800	7 200	2 700	2 750	2 950	3 300	22.0
24.0	6 500	6 550	6 800	7 200	2 700	2 750	2 950	3 300	24.0
26.0	6 500	6 550	6 800	7 200	2 700	2 750	2 950	3 300	26.0
28.0	6 150	6 550	6 800	7 100	2 700	2 750	2 950	3 300	28.0
30.0	5 300	5 650	5 950	6 200	2 700	2 750	2 950	3 300	30.0
32.0	4 600	4 900	5 150	5 350	2 700	2 750	2 950	3 200	32.0
34.0	3 950	4 250	4 500	4 650	2 700	2 750	2 950	2 950	34.0
36.0	3 350	3 650	3 850	4 000	2 450	2 600	2 700	2 700	36.0
38.0	2 850	3 100	3 300	3 450	2 200	2 350	2 450	2 500	38.0
40.0	2 400	2 650	2 800	2 950	1 900	2 050	2 150	2 250	40.0
42.0	2 000	2 200	2 400	2 450	1 650	1 800	1 900	1 950	42.0
44.0	1 650	1 850	2 000	2 050	1 450	1 550	1 650	1 700	44.0
46.0	1 350	1 500	1 600	1 700	1 200	1 350	1 400	1 450	46.0
48.0	1 050	1 200	1 300	1 350	1 000	1 150	1 200	1 250	48.0
50.0	750	900	1 000		700	850	950	1 050	50.0
52.0	500	600	700			600	700	750	52.0

This material is supplied for reference use only. Operator must refer to in-cab Crane Rating Manual and Operator's Manual to determine allowable crane lifting capacities and assembly and operating procedures.

Main Boom + 16.8m Offset Fly Capacity Chart - 360° Rotation - Fully Extended Tracks
ABCD+A [37 194kg Counterweight]
 [All capacities are listed in kg]

Load Radius (m)	Boom Length (m)								Load Radius (m)
	55				59.6				
	0°	15°	30°	45°	0°	15°	30°	45°	
16.0	4 850				1 950				16.0
18.0	4 850				1 950				18.0
20.0	4 850				1 950	2 000			20.0
22.0	4 850	4 950			1 950	2 000			22.0
24.0	4 850	4 950			1 950	2 000	2 250		24.0
26.0	4 850	4 950	4 350		1 950	2 000	2 250		26.0
28.0	4 850	4 950	4 250	3 800	1 950	2 000	2 250	2 650	28.0
30.0	4 850	4 800	4 150	3 750	1 950	2 000	2 250	2 650	30.0
32.0	4 850	4 700	4 100	3 700	1 950	2 000	2 250	2 650	32.0
34.0	4 250	4 600	4 000	3 650	1 950	2 000	2 250	2 650	34.0
36.0	3 700	4 200	3 950	3 600	1 950	2 000	2 250	2 650	36.0
38.0	3 200	3 650	3 850	3 550	1 950	2 000	2 250	2 500	38.0
40.0	2 750	3 150	3 500	3 550	1 950	2 000	2 250	2 300	40.0
42.0	2 300	2 700	3 000	3 250	1 750	1 950	2 050	2 100	42.0
44.0	1 950	2 300	2 600	2 800	1 550	1 750	1 850	1 900	44.0
46.0	1 650	1 950	2 200	2 400	1 300	1 550	1 650	1 750	46.0
48.0	1 350	1 600	1 850	2 000	1 150	1 300	1 500	1 550	48.0
50.0	1 050	1 300	1 550	1 650	950	1 150	1 250	1 350	50.0
52.0	800	1 050	1 250	1 350	700	950	1 100	1 150	52.0
54.0	550	800	950	1 050	500	750	900	950	54.0
56.0		550	700	750		500	650	750	56.0
58.0							500		58.0

This material is supplied for reference use only. Operator must refer to in-cab Crane Rating Manual and Operator's Manual to determine allowable crane lifting capacities and assembly and operating procedures.

Link-Belt Construction Equipment Company Lexington, Kentucky www.linkbelt.com

®Link-Belt is a registered trademark. Copyright 2022. We are constantly improving our products and therefore reserve the right to change designs and specifications.