



Parts Manual

Mfg. No: 2691663-00
SPX2542, 42" Fabricated 25 HP SPX
Lawn Tractor 150 Series



1691319SM - Suitcase Weights, 33Lbs.

1690555SM - Weight, Rear Wheel (1 Each).....

1694921 - Snow Cab, Soft Side.....

1694922SM - Weight Carrier, Rear.....

1696092 - Dozer Blade, 42".....

1696423-00 - Snowthrower, Single Stage, 42".....

1696915-00 - Grass Mulcher Kit, 42" Fabricated Mower Deck.....

1696915-01 - Grass Mulcher Kit, 42" Fabricated Mower Deck.....

1696092A-00 - Dozer Blade, 42".....

1696915-02 - Grass Mulcher Kit, 42" Fabricated Mower Deck.....

1697373A-00 - Bagging Boot, Blade & Baffle, 42".....

1697358A-00 - Catcher, Clean Sweep, Twin.....

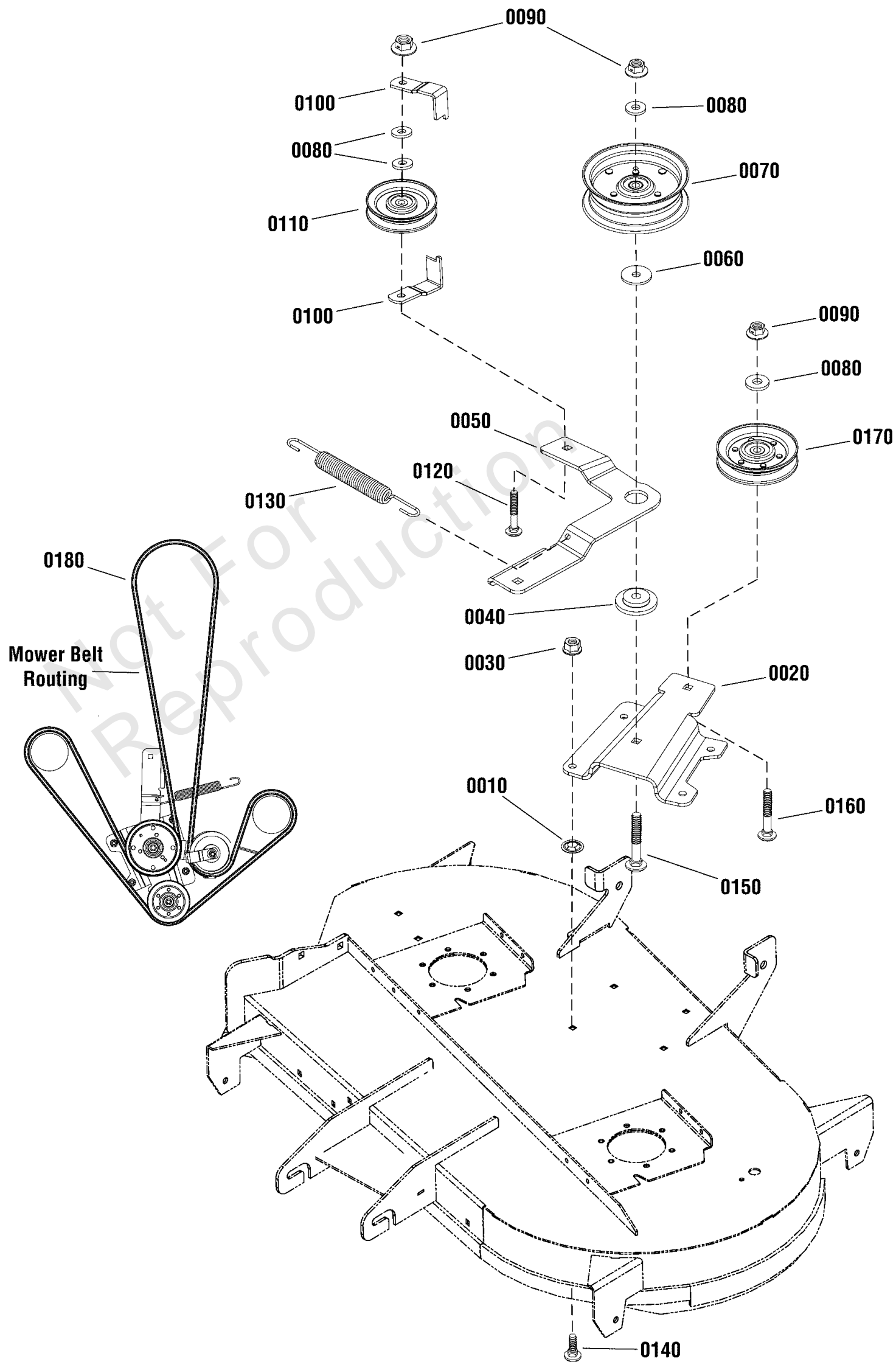
Not For
Reproduction

| Model Components | Page |
|--|-------------|
| 42" (107cm) Mower Deck - Clutch Group..... | 4 |
| 42" (107cm) Mower Deck - Height Adjustment & Roller Bar Group..... | 6 |
| 42" (107cm) Mower Deck - Housing, Arbor & Blade Group..... | 8 |
| Controls Group..... | 10 |
| Decals Group..... | 12 |
| Decals Group..... | 14 |
| Electrical Group..... | 16 |
| Electrical Schematic -..... | 20 |
| Electrical Schematic - Charging Circuit..... | 22 |
| Electrical Schematic - Cranking Circuit..... | 24 |
| Electrical Schematic - Headlight Circuit..... | 26 |
| Electrical Schematic - Height of Cut..... | 28 |
| Electrical Schematic - Hour Meter..... | 30 |
| Electrical Schematic - Ignition Shutdown..... | 32 |
| Electrical Schematic - PTO Clutch Circuit..... | 34 |
| Engine Group..... | 36 |
| Frame & Front Axle Group..... | 38 |
| Front Axle Group..... | 40 |
| Hood, Grille & Dash Group..... | 42 |
| Lift Group - Manual..... | 44 |
| Seat Deck & Fuel Tank Group..... | 46 |
| Seat Group..... | 48 |
| Steering Group..... | 50 |
| Transmission Group..... | 52 |
| Transmission SERVICE PARTS - Tuff Torq K46BP (1729588)..... | 54 |
| Wheels & Tires..... | 58 |
| Torque Specification Chart..... | 60 |

42" (107cm) Mower Deck - Clutch Group

Note: Unless noted otherwise, use the standard torque specifications

Mfg. No: 2691663-00



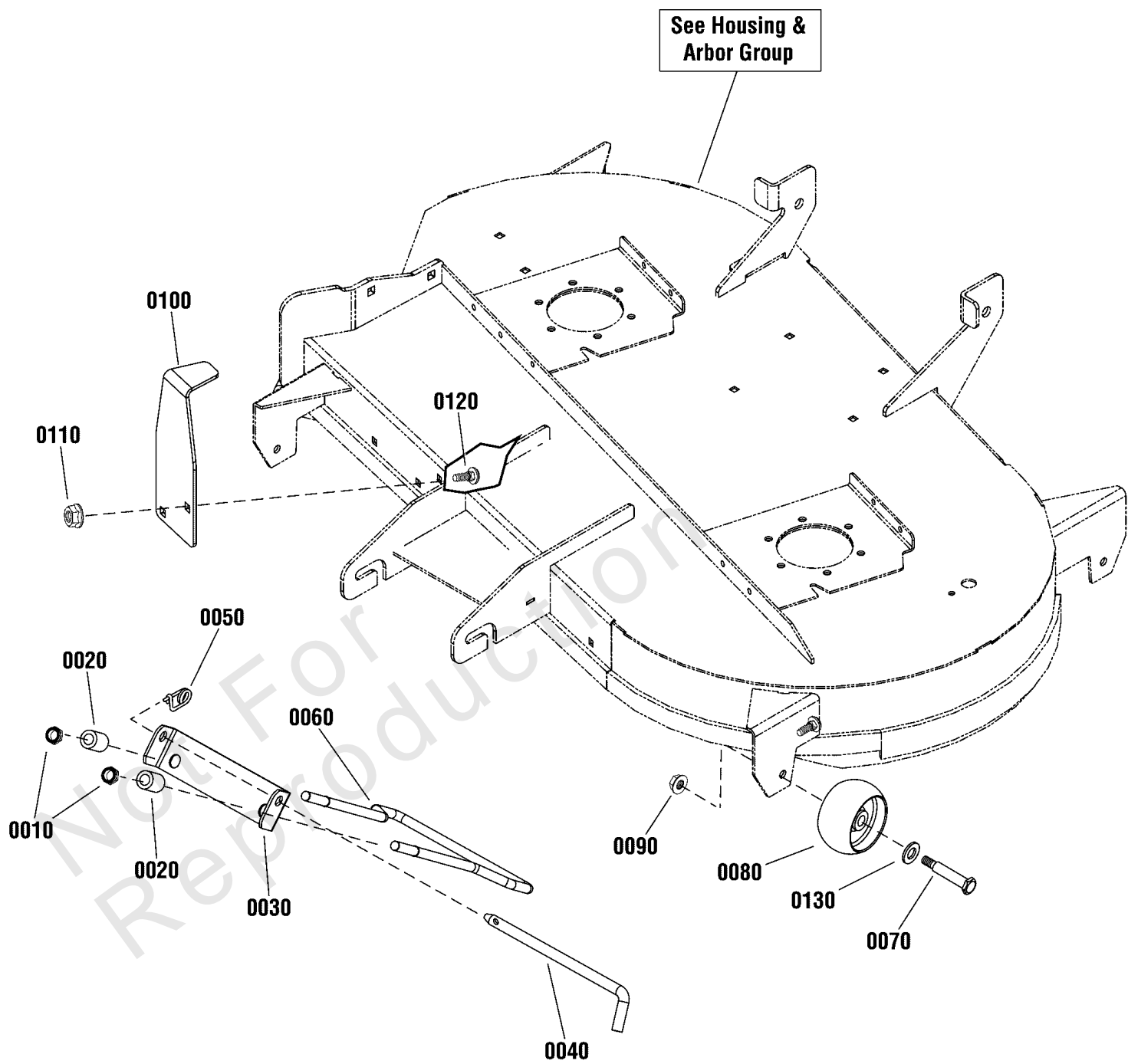
42" (107cm) Mower Deck - Clutch Group

| REF NO | PART NO | QTY | DESCRIPTION |
|--------|-------------|-----|----------------------------|
| 0010 | 703297 | 4 | RETAINER, GR5, 5/16 |
| 0020 | 1758542BMYP | 1 | BRACKET, Idler |
| 0030 | 703115 | 4 | NUT |
| 0040 | 706128 | 1 | SPACER, IDLER |
| 0050 | 1759359BMYP | 1 | ARM, Idler |
| 0060 | 703591 | 1 | WASHER, .406X1.5X.12 |
| 0070 | 1757894YP | 1 | PULLEY, Flat Idler, 4.5" |
| 0080 | 704128 | 4 | WASHER |
| 0090 | 1960339SM | 3 | NUT, Hex Flange, 3/8-16 |
| 0100 | 706131 | 2 | GUARD, Spring |
| 0110 | 7018574SM | 1 | IDLER, Flat, 4 1/8 |
| 0120 | 7900009SM | 1 | RHSSNB, 3/8-16 X 2-1/ |
| 0130 | 1734316SM | 1 | SPRING, Extension, 7.88 LG |
| 0140 | 703225 | 4 | BOLT |
| 0150 | 1960615SM | 1 | BOLT-RD HD SQ NK 3/8 |
| 0160 | 703858 | 1 | BOLT, 3/8-16X1.75 |
| 0170 | 885937YP | 1 | PULLEY, Idler 4.00 |
| 0180 | 1758984YP | 1 | BELT, Aramid |

42" (107cm) Mower Deck - Height Adjustment & Roller Bar Group

Note: Unless noted otherwise, use the standard torque specifications

Mfg. No: 2691663-00



42" (107cm) Mower Deck - Height Adjustment & Roller Bar Group

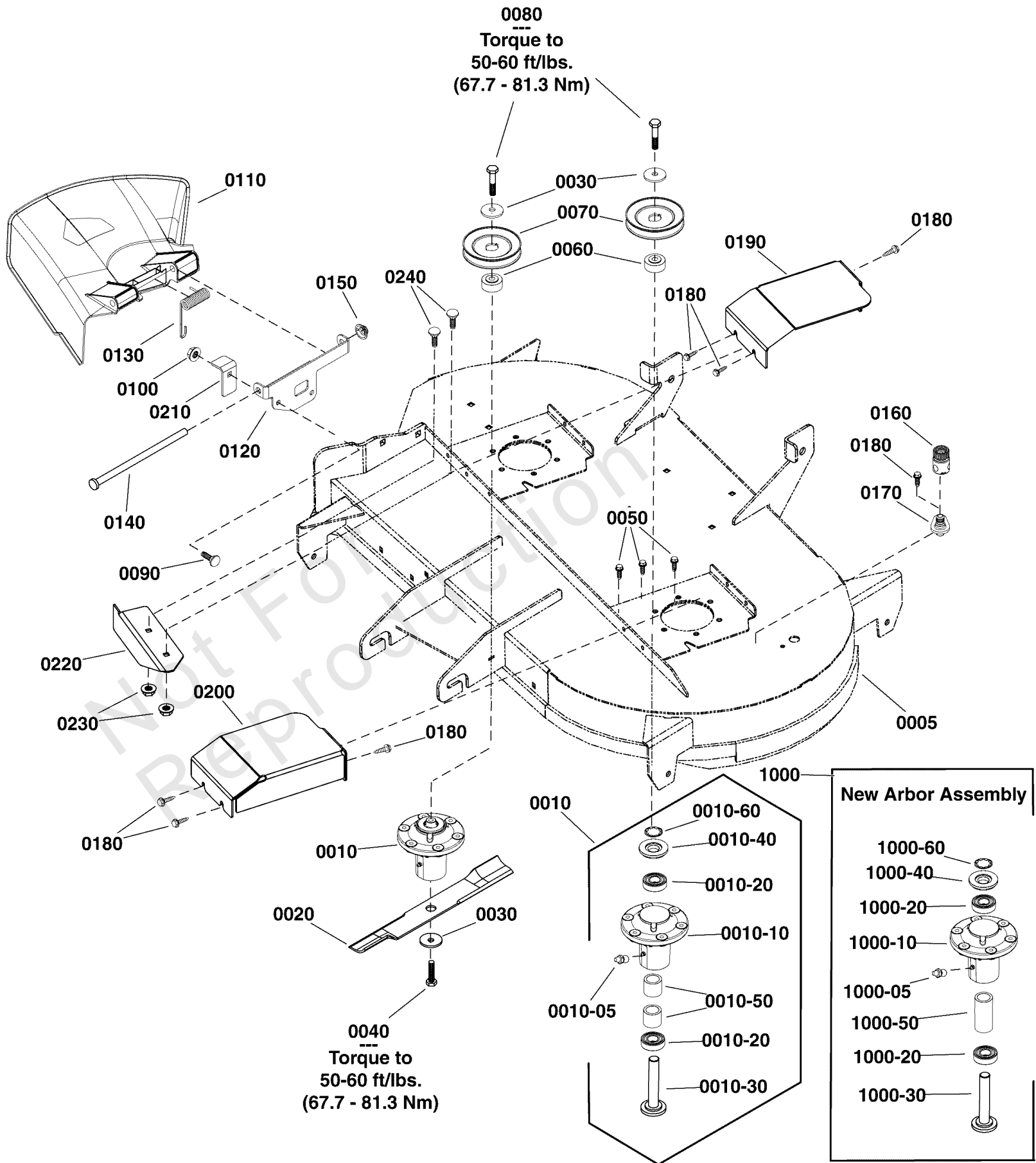
| REF NO | PART NO | QTY | DESCRIPTION |
|--------|-------------|-----|-------------------------------------|
| 0010 | 1960379SM | 2 | NUT, Hex Lock, 1/2-13 |
| 0020 | 1679166SM | 2 | SPACER, 1/2 x 7/8 x 1 3/16 |
| 0030 | 1730221ASM | 1 | HANGER, Front |
| 0040 | 1731414SM | 1 | ROD, Latch |
| 0050 | 703852 | 1 | PIN, 5/16 X 0.375 |
| 0060 | 1730097SM | 1 | ROD, Bail |
| 0070 | 2108765SM | 4 | BOLT-WHEEL 3/8-16X2.7 |
| 0080 | 1714760SM | 4 | GAUGE WHEEL |
| 0090 | 703158 | 4 | NUT, Hex Flange, ESNA, 3/8-16 |
| 0100 | 1758555BMYP | 1 | UPSTOP |
| 0110 | 703409 | 2 | NUT, 5/16-18, GR5 |
| 0120 | 703185 | 2 | BOLT, Round Head, Short Square Neck |
| 0130 | 703853 | 4 | WASHER, 0.516IDX1OD |

Not For Reproduction

42" (107cm) Mower Deck - Housing, Arbor & Blade Group

Note: Unless noted otherwise, use the standard torque specifications

Mfg. No: 2691663-00



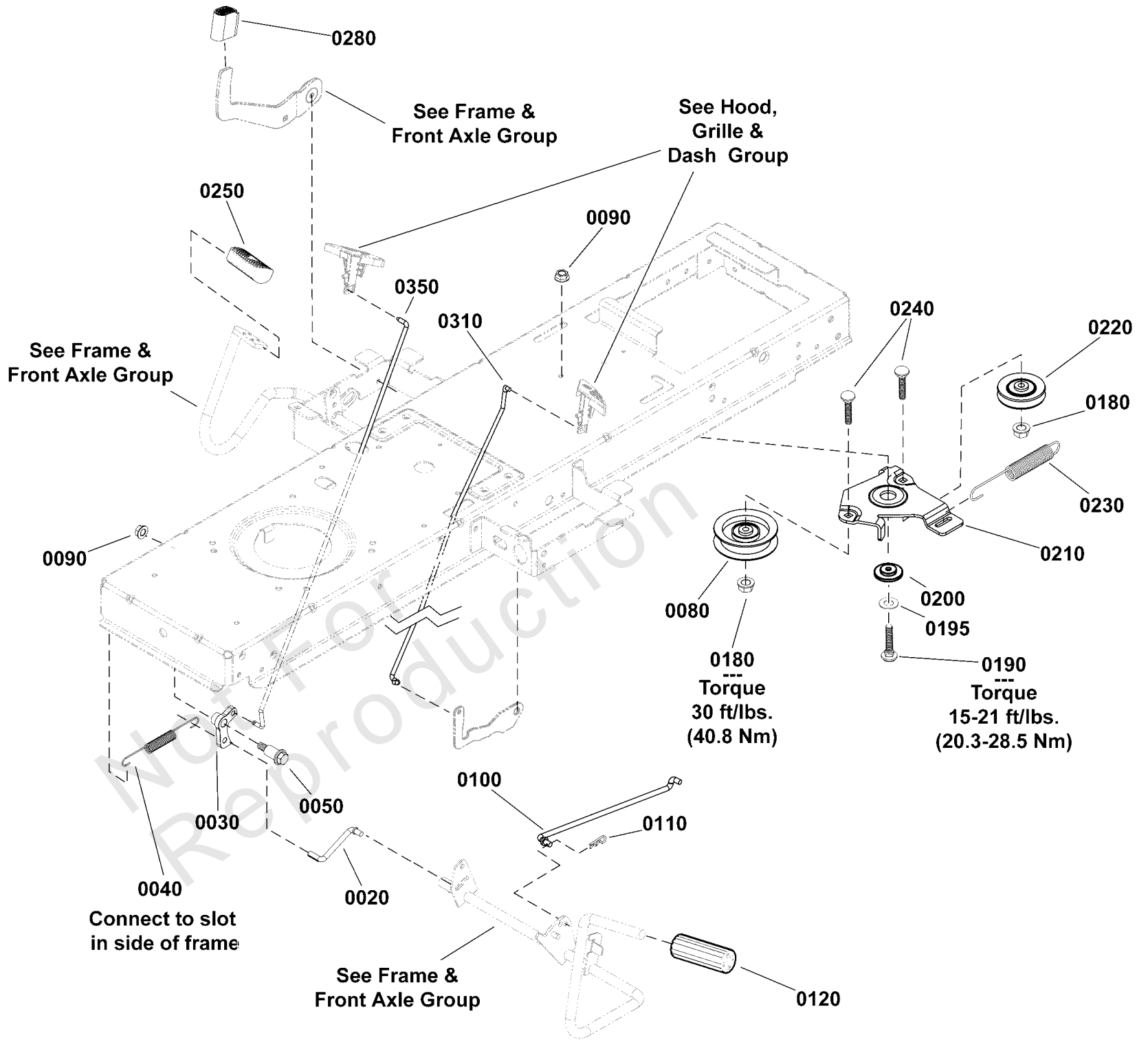
42" (107cm) Mower Deck - Housing, Arbor & Blade Group

| REF NO | PART NO | QTY | DESCRIPTION |
|---------|-------------|-----|---|
| 0005 | 1687949 | 1 | KIT-MOWER DECK |
| 0010 | 84001645 | 2 | ARBOR ASSEMBLY -(Replaced by Ref. Nos. 1000, this arbor assembly is an exact replacement) |
| 0010-05 | 1704314SM | 1 | LUBE FITTING, .250 DR |
| 0010-10 | 1755437YP | 1 | HOUSING, w/Lube Fitting |
| 0010-20 | 1735399YP | 2 | BEARING, Ball, 20mm |
| 0010-30 | 1760276YP | 1 | SHAFT-SPINDLE -(Replaced by Ref. Nos. 1000-30, this spindle shaft is an exact replacement) |
| 0010-40 | 1735323YP | 2 | SHIELD, Arbor |
| 0010-50 | 1735328YP | 2 | SPACER, Bearing -(Replaced by Ref. Nos. 1000-50, this spacer is an exact replacement) |
| 0010-60 | 1960766YP | 1 | RING, SELF LOCKING |
| 1000 | 84003173 | 2 | ARBOR ASSEMBLY |
| 1000-05 | 1704314SM | 1 | LUBE FITTING, .250 DR |
| 1000-10 | 84003653 | 1 | HOUSING ASSEMBLY |
| 1000-20 | 1735399YP | 2 | BEARING, Ball, 20mm |
| 1000-30 | 84003170 | 1 | SHAFT, SPINDLE |
| 1000-40 | 84003166 | 1 | COVER, ARBOR |
| 1000-50 | 84003167 | 1 | SPACER, BEARING |
| 1000-60 | 1960766YP | 1 | RING, SELF LOCKING |
| 0020 | 1758878BMYP | 2 | BLADE, 21.31" Long |
| 0030 | 1656916SM | 4 | WASHER, SPRING 0.475I |
| 0040 | 1920676SM | 2 | CAPSCREW, Hex Head, 7/16-14 X 1 |
| 0050 | 704146 | 12 | SCREW, HEX, 5/16-18X1 |
| 0060 | 1736445YP | 2 | SPACER, Pulley |
| 0070 | 1737835YP | 2 | PULLEY, 4.50 |
| 0080 | 705424 | 2 | CAPSCREW, Hex Head, 7/16-14 X 1 3/4 |
| 0090 | 703815 | 2 | BOLT, RD SQ 3/8-16X1 |
| 0100 | 703793 | 2 | LOCKNUT |
| 0110 | 7104733YP | 1 | CHUTE, SIDE DISCHARGE |
| 0120 | 1758982BMYP | 1 | BRACKET, Deflector |
| 0130 | 7035813SM | 1 | SPRING, TORSION, SIDE |
| 0140 | 7104640YP | 1 | ROD, Deflector |
| 0150 | 703179 | 1 | PUSHNUT, CAP TYPE |
| 0160 | 1756246YP | 1 | CONNECTOR, Washout Port |
| 0170 | 1756247YP | 1 | ADAPTER, Washout Port |
| 0180 | 703235 | 7 | SCREW, 5/16-18 X 3/4 |
| 0190 | 1758991BMYP | 1 | COVER, Pulley, RH |
| 0200 | 1758992BMYP | 1 | COVER, Pulley, LH |
| 0210 | 1758593BMYP | 1 | PROP, DEFLECTOR |
| 0220 | 1758581BMYP | 1 | BAFFLE, Pinchoff |
| 0230 | 703115 | 2 | NUT |
| 0240 | 703225 | 2 | BOLT |

Controls Group

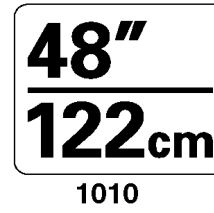
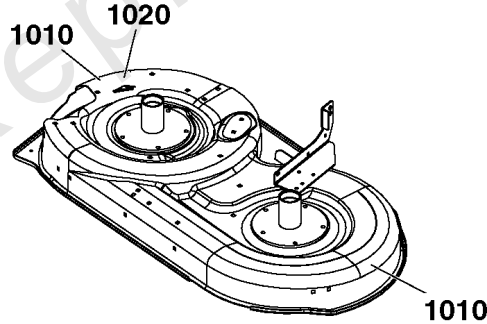
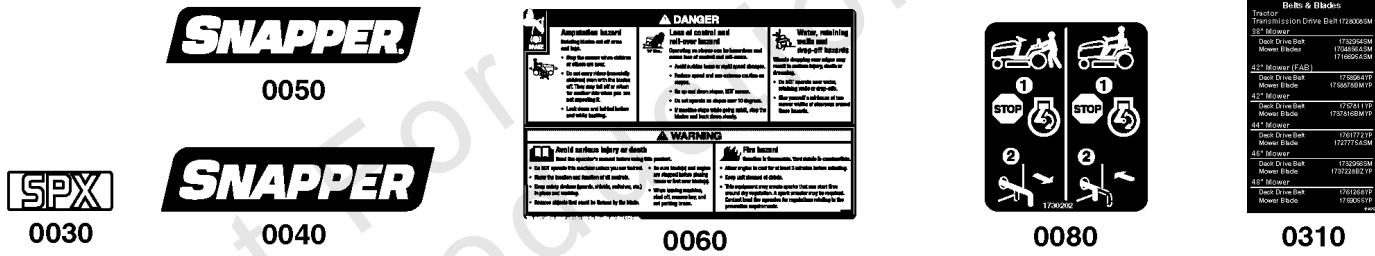
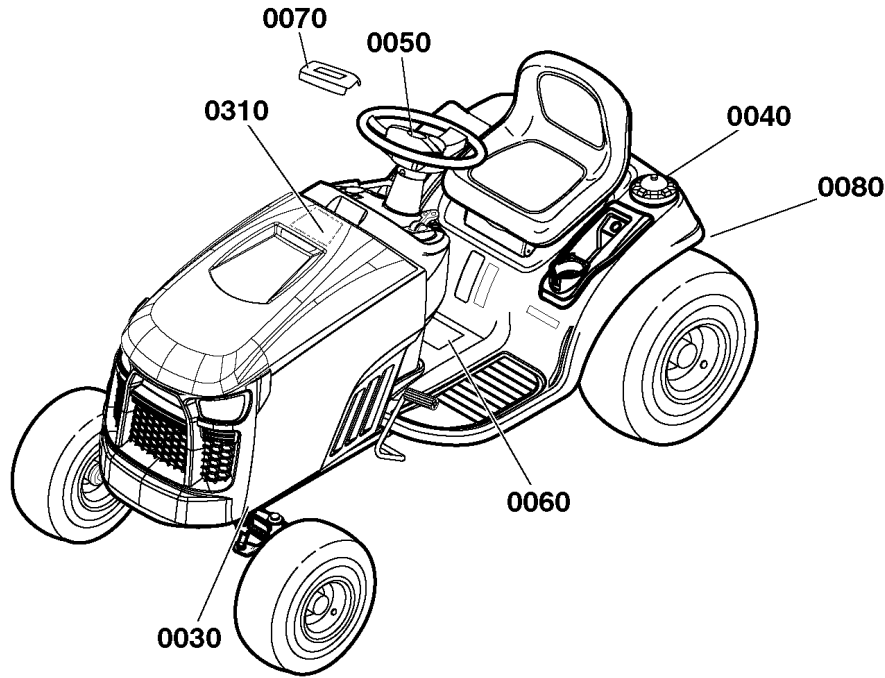
Note: Unless noted otherwise, use the standard torque specifications

Mfg. No: 2691663-00



Controls Group

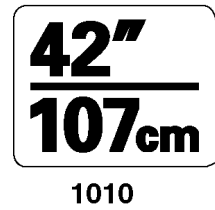
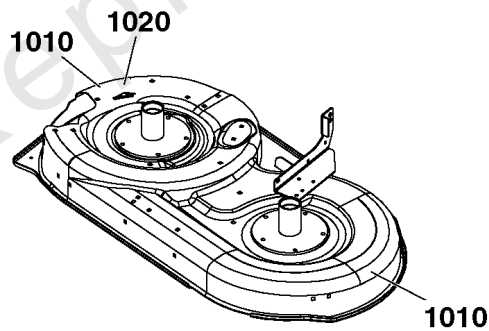
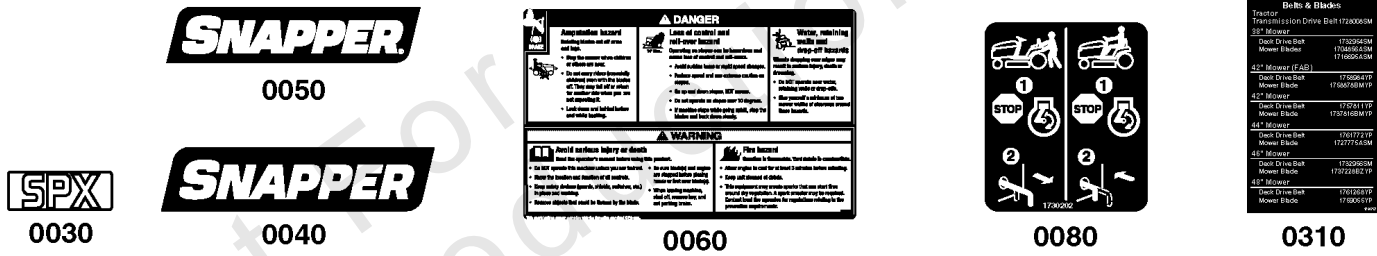
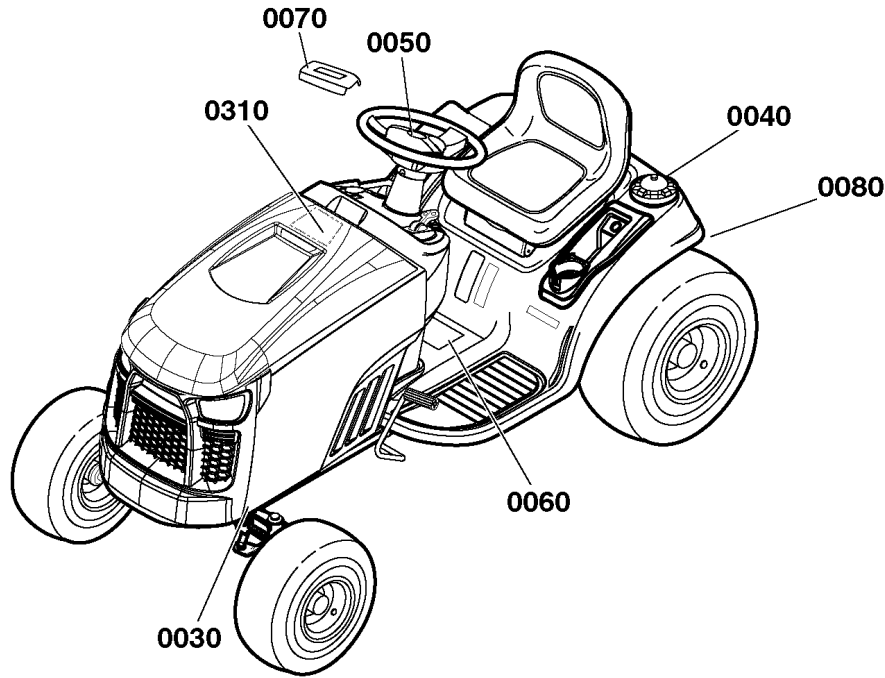
| REF NO | PART NO | QTY | DESCRIPTION |
|--------|------------|-----|---|
| 0020 | 1727899SM | 1 | ROD, Cruise Latch, 5/16 Dia. x 2-13/16 Long |
| 0030 | 1727897SM | 1 | LATCH, Cruise |
| 0040 | 2159181SM | 1 | SPRING, Extension, 9/16 OD x 7-3/4 |
| 0050 | 1728976SM | 1 | BOLT, Shoulder, 5/16-18 x 1-5/8 |
| 0080 | 1728000SM | 1 | PULLEY, Idler, 3-1/8 OD, 3/8 ID |
| 0090 | 703115 | 2 | NUT |
| 0100 | 1727254SM | 1 | ROD, Brake Return, 5/16 Dia. x 12-5/8 Long |
| 0110 | 1722460SM | 1 | PIN, Quick, 1-3/16 Long |
| 0120 | 1727261SM | 1 | PEDAL-BRAKE BLACK RUB |
| 0180 | 1960687SM | 2 | NUT, Hex Flange, ESNA, 3/8-16 |
| 0190 | 703570 | 1 | CAPSCREW, Hex Head, 5/16-18 x 1 1/4 |
| 0195 | 1919326SM | 1 | WASHER, 5/16 |
| 0200 | 1727935SM | 1 | SPACER-PIVOT 0.330ID |
| 0210 | 1727894ASM | 1 | BRACKET, Idler |
| 0220 | 1728001SM | 1 | PULLEY, 3 OD, 3/8 ID |
| 0230 | 1729620SM | 1 | SPRING, Extension, 1 OD x 7-1/2 |
| 0240 | 1931352SM | 2 | BOLT, Carriage, Short Neck, 3/8-16 x 1-1/2 |
| 0250 | 1721675SM | 1 | PAD, Foot Pedal, Forward |
| 0280 | 1727259SM | 1 | PAD, Foot Pedal, Reverse |
| 0310 | 1739876YP | 1 | ROD, Parking Brake, 1/4 Dia. x 16-3/8 Long |
| 0350 | 1739877YP | 1 | ROD, Cruise Latch, 1/4 Dia. x 17 |



Decals Group

| REF NO | PART NO | QTY | DESCRIPTION |
|--------|-----------|-----|---|
| 0030 | 7104875YP | 2 | DECAL, Front Cover, SPX Series |
| 0040 | 1750913YP | 1 | DECAL, SNAPPER LOGO |
| 0050 | 84002249 | 1 | DECAL, Snapper Logo, 3.1" X .8" |
| 0060 | 1755395YP | 1 | DECAL, Tunnel |
| 0070 | 84002250 | 1 | CAP, Steering Wheel |
| 0080 | 1730202SM | 1 | DECAL, Transmission Tow / Release Lever |
| 0310 | 1761757YP | 1 | DECAL, Service |
| 1010 | 1755719YP | 1 | DECAL, 48"/122cm |
| 1020 | 7101665YP | 2 | DECAL, DANGER |

Not For Reproduction



1020

Decals Group

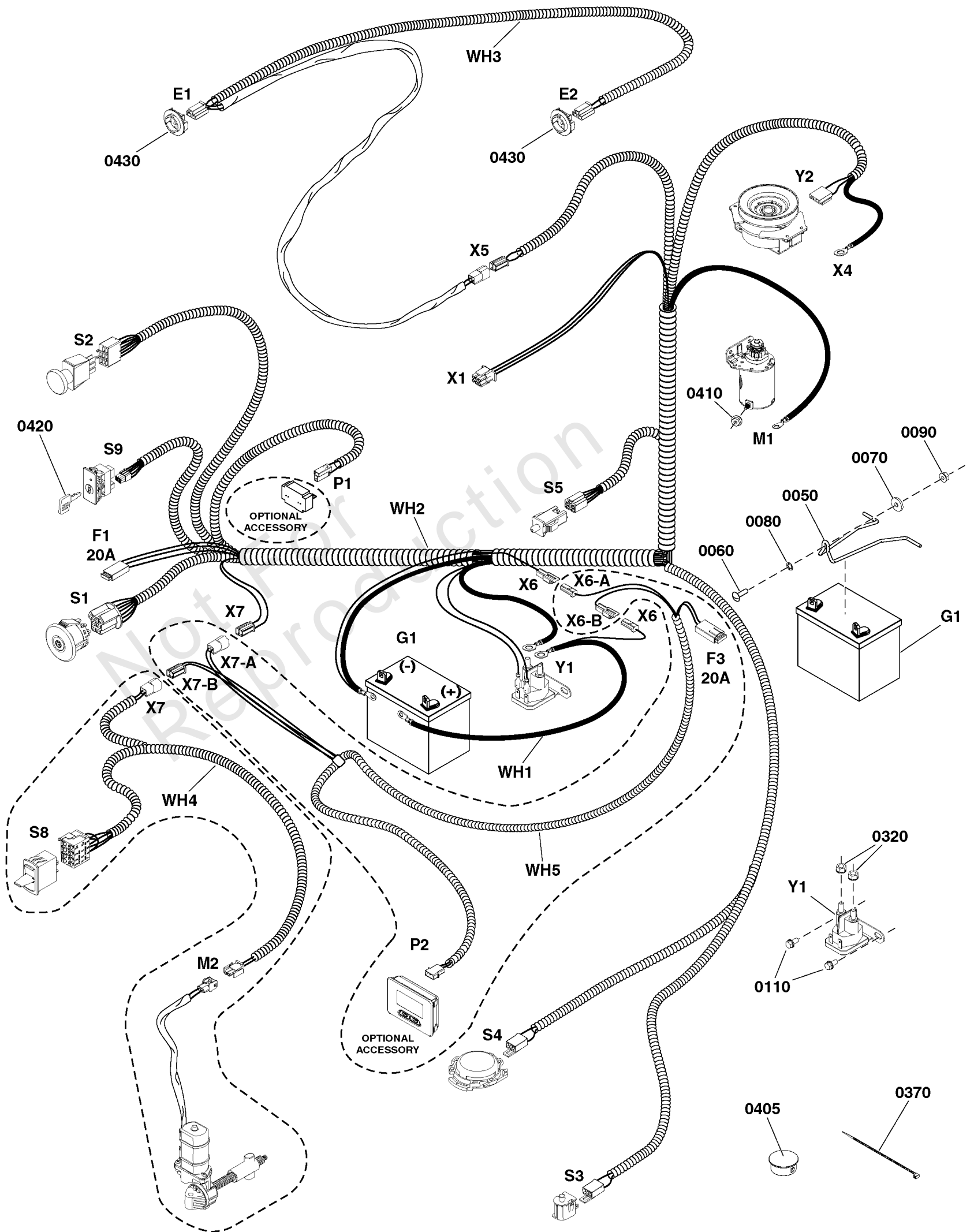
| REF NO | PART NO | QTY | DESCRIPTION |
|--------|-----------|-----|---|
| 0030 | 7104875YP | 2 | DECAL, Front Cover, SPX Series |
| 0040 | 1750913YP | 1 | DECAL, SNAPPER LOGO |
| 0050 | 84002249 | 1 | DECAL, Snapper Logo, 3.1" X .8" |
| 0060 | 1755395YP | 1 | DECAL, Tunnel |
| 0070 | 84002250 | 1 | CAP, Steering Wheel |
| 0080 | 1730202SM | 1 | DECAL, Transmission Tow / Release Lever |
| 0310 | 1761757YP | 1 | DECAL, Service |
| 1010 | 1755716YP | 1 | DECAL, 42"/107cm |
| 1020 | 7101665YP | 2 | DECAL, DANGER |

Not For Reproduction

Electrical Group

Note: Unless noted otherwise, use the standard torque specifications

Mfg. No: 2691663-00



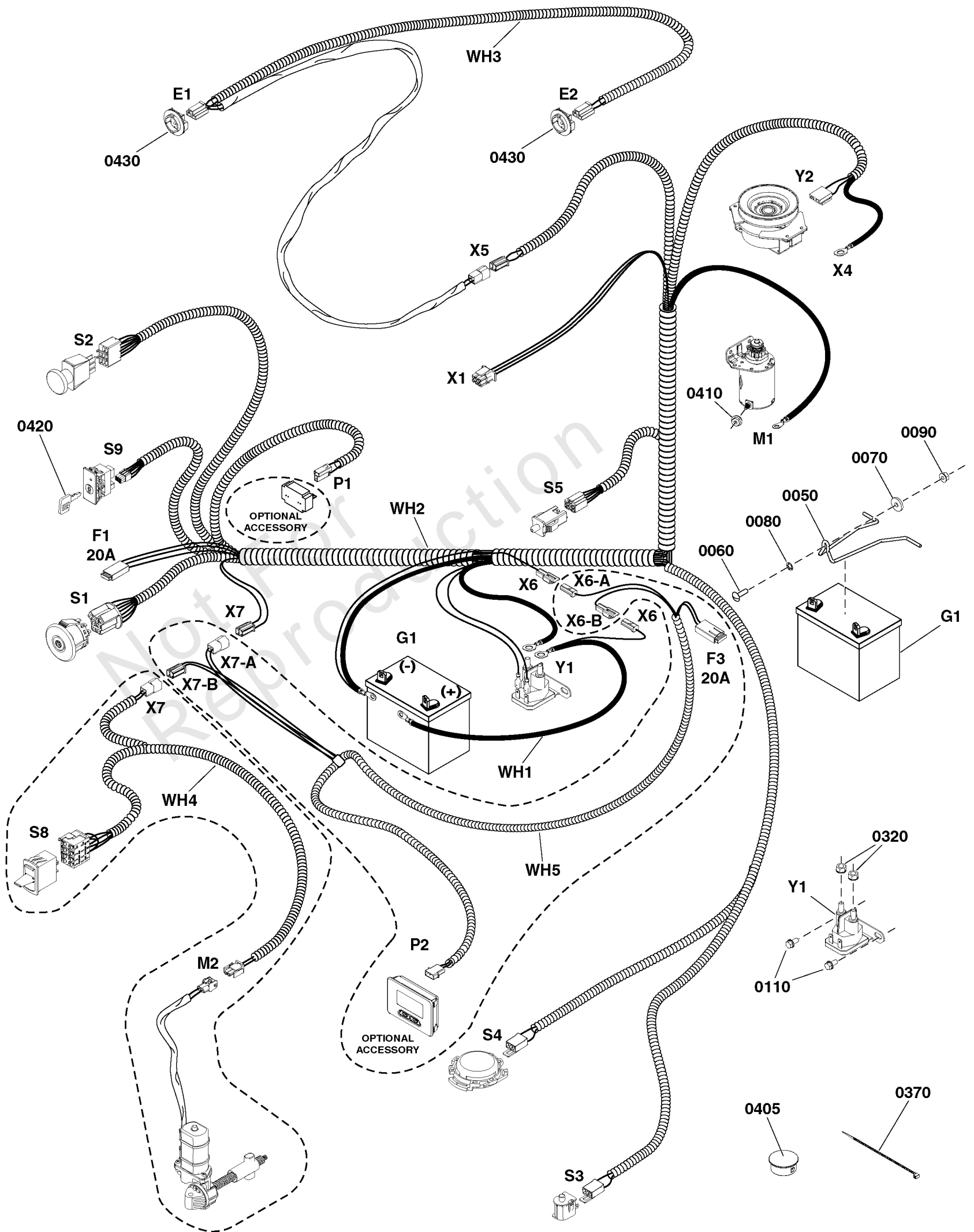
Electrical Group

| REF NO | PART NO | QTY | DESCRIPTION |
|--------|-----------|-----|---|
| E1 | ----- | 1 | HEADLIGHT, Left |
| E2 | ----- | 1 | HEADLIGHT, Right |
| F1 | 1731957SM | 1 | FUSE, Wiring Harness |
| F3 | 1731957SM | 1 | FUSE, Wiring Harness |
| G1 | ----- | 1 | BATTERY, 12 Volt, 230 CCA |
| M1 | 592599 | 1 | MOTOR, Starter |
| M2 | 1761788YP | 1 | MOTOR, Electric -(Optional Accessory) |
| P1 | 1731185SM | 1 | METER-HOUR DIGITAL NO -(Optional Accessory) |
| P2 | 1758654YP | 1 | DISPLAY, Mini Meter -(Optional Accessory) |
| S1 | 1761507YP | 1 | SWITCH, Ignition |
| S2 | 1722887YP | 1 | SWITCH, PTO Push/Pull, Yel Knob w/Symbols, 8 Terminal |
| S3 | 1720411SM | 1 | SWITCH, NO, Black, Push Button W/Boot -(Reverse Switch) |
| S4 | 1714771SM | 1 | SWITCH, Seat, Gray Switch, Gray Retainer |
| S5 | 7022886YP | 1 | SWITCH, DP NO/NC SNAP -(Brake Pedal Switch) |
| S8 | 1761475YP | 1 | SWITCH, Height of Cut -(Optional Accessory) |
| S9 | 1761897YP | 1 | SWITCH, Reverse Mow Option |
| WH1 | 1759779YP | 1 | HARNESS, Battery, Solenoid |
| WH2 | 1761300YP | 1 | HARNESS, Main |
| WH3 | 1761298YP | 1 | HARNESS, Headlight |
| WH4 | 1761347YP | 1 | HARNESS, Height of Cut -(Optional Accessory) |
| WH5 | 84003001 | 1 | HARNESS, Mini Meter with Height of Cut Harness -(Optional Accessory) |
| X1 | ----- | 1 | CONNECTOR, Engine |
| X4 | ----- | 1 | CHASSIS GROUND POINT |
| X5 | ----- | 1 | CONNECTOR, Main Harness to Headlight Harness |
| X6 | ----- | 1 | CONNECTOR, Battery Solenoid Harness to Main Harness |
| X6-A | ----- | 1 | CONNECTOR, Mini Meter with Height of Cut Harness to Main Harness |
| X6-B | ----- | 1 | CONNECTOR, Mini Meter with Height of Cut Harness to Battery Solenoid Harness |
| X7 | ----- | 1 | CONNECTOR, Main Harness to Height of Cut Harness |
| X7-A | ----- | 1 | CONNECTOR, Mini Meter with Height of Cut Harness to Main Harness |
| X7-B | ----- | 1 | CONNECTOR, Mini Meter with Height of Cut Harness to Height of Cut Harness |
| Y1 | 1755381YP | 1 | SOLENOID, L-BRACKET -(Starter Solenoid) |
| Y2 | 1760986YP | 1 | OGURA CLUTCH -(PTO Clutch) |
| 0050 | 1730007SM | 1 | HOLD DOWN, Battery, 1/4 Dia. |
| 0060 | 1931318SM | 1 | BOLT, Carriage, Short Neck, 1/4-20 x 7/8 G5 |
| 0070 | 703229 | 1 | WASHER, 1/4 |
| 0080 | 703826 | 1 | BOLT, PUSHNUT 1/4 |
| 0090 | 703463 | 1 | NUT, GR5, 1/4-20 |
| 0110 | 704130 | 2 | SCREW, HEX, 1/4-20X.5 |
| 0320 | 2860750SM | 2 | NUT-HEX KEPS 5/16-24 |
| 0370 | 703586 | 3 | TIE, SELF LOCKING |
| 0405 | 1732007SM | 1 | PLUG, Hole, 7/8 Dia. |
| 0410 | 703061 | 1 | NUT, HEX KEPS, 1/4-20 |
| 0420 | 1726557SM | 2 | KEY, No Mow Module (Yellow) |

Electrical Group

Note: Unless noted otherwise, use the standard torque specifications

Mfg. No: 2691663-00



Electrical Group

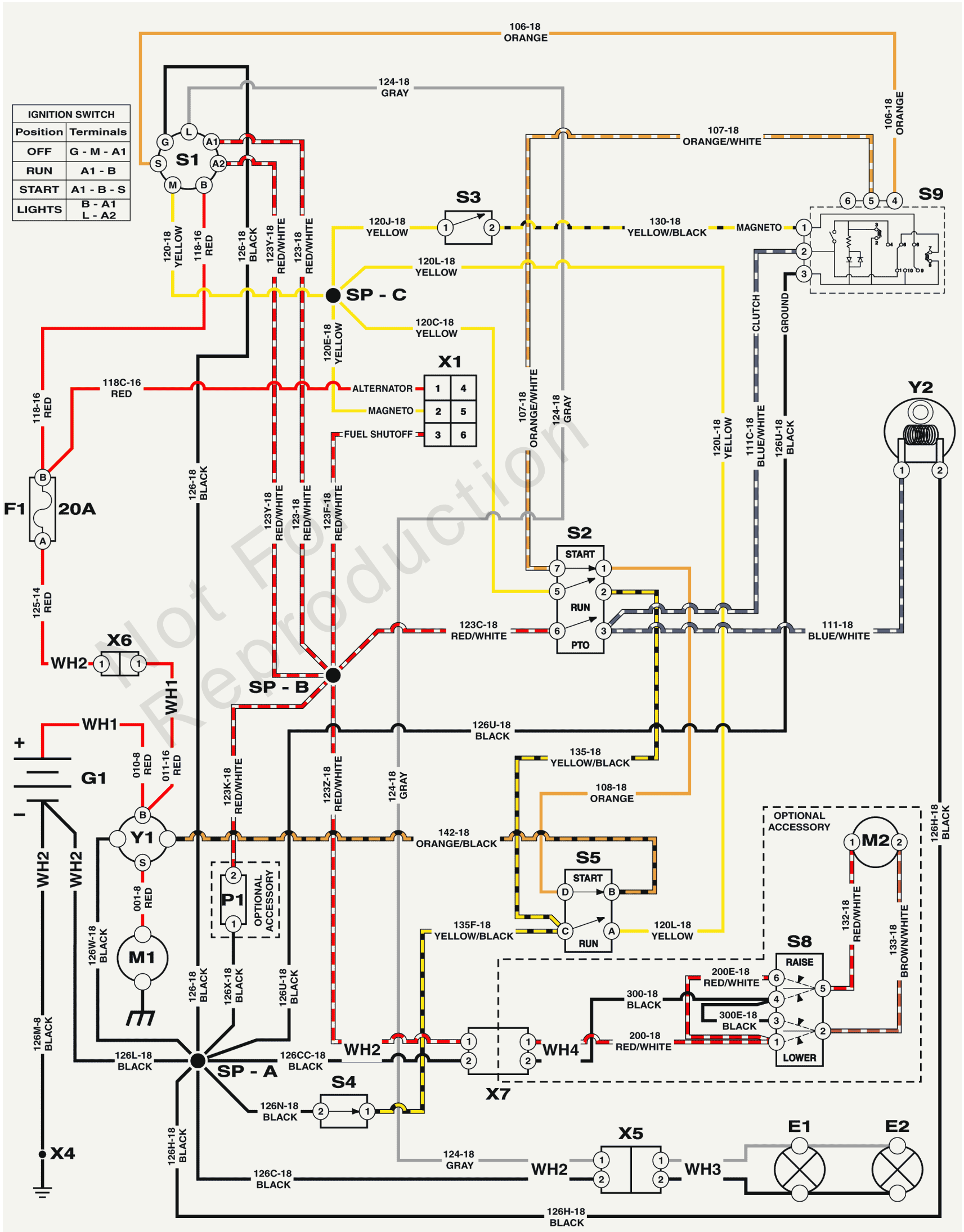
| REF NO | PART NO | QTY | DESCRIPTION |
|--------|-----------|-----|-----------------------------------|
| 0430 | 1760239YP | 2 | LED HEADLIGHT AND SOCKET ASSEMBLY |

Not For Reproduction

Electrical Schematic -

Note: Unless noted otherwise, use the standard torque specifications

Mfg. No: 2691663-00



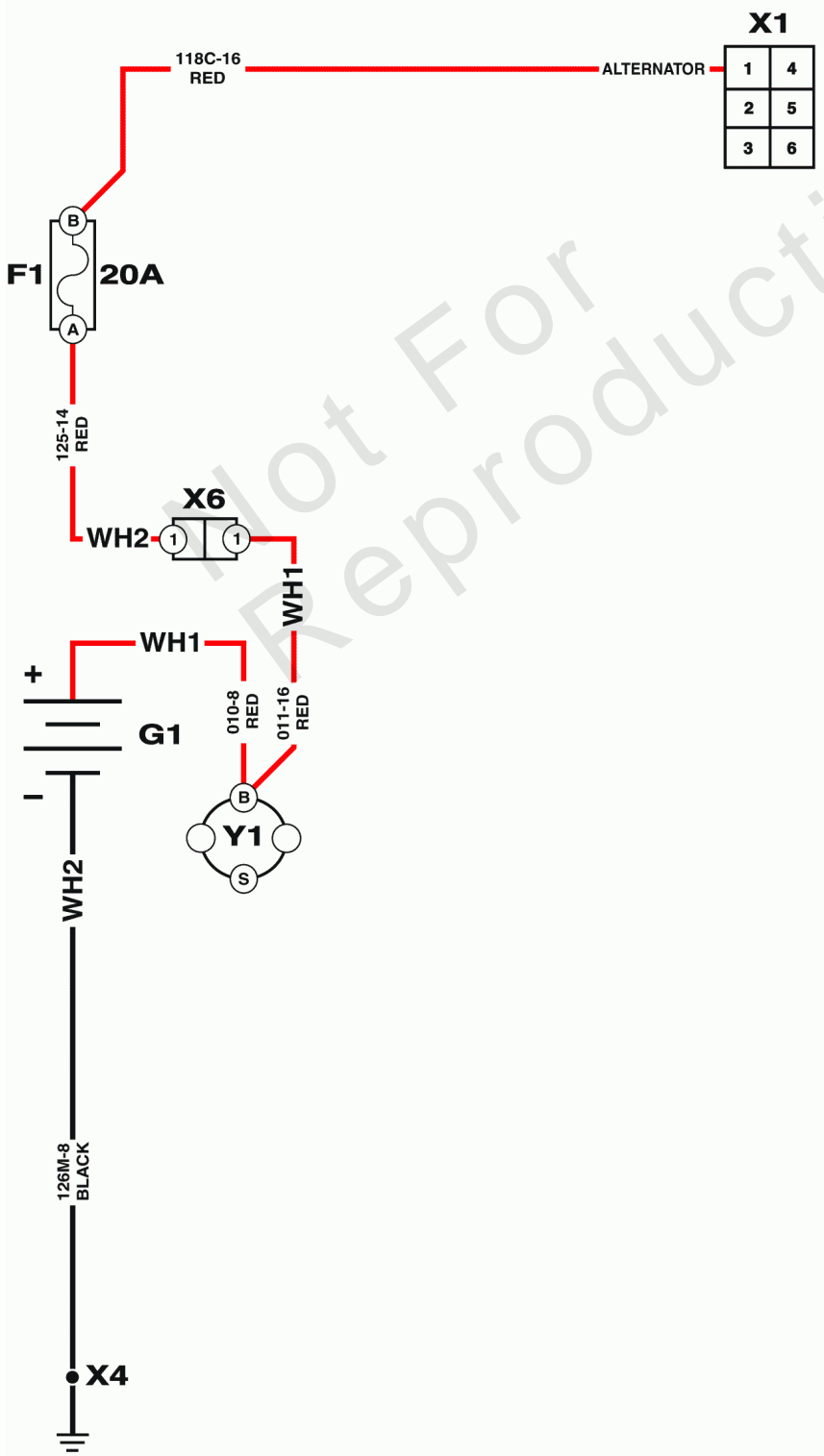
Electrical Schematic -

| REF NO | PART NO | QTY | DESCRIPTION |
|--------|-----------|-----|--|
| | ----- | | NOTE: All electrical components represented within this electrical schematic are at rest state (no power applied). |
| E1 | ----- | 1 | HEADLIGHT, Left |
| E2 | ----- | 1 | HEADLIGHT, Right |
| F1 | 1731957SM | 1 | FUSE, Wiring Harness |
| G1 | ----- | 1 | BATTERY, 12 Volt, 230 CCA |
| M1 | 592599 | 1 | MOTOR, Starter |
| M2 | 1761788YP | 1 | MOTOR, Electric -(Optional Accessory) |
| P1 | 1731185SM | 1 | METER-HOUR DIGITAL NO -(Optional Accessory) |
| S1 | 1761507YP | 1 | SWITCH, Ignition |
| S2 | 1722887YP | 1 | SWITCH, PTO Push/Pull, Yel Knob w/Symbols, 8 Terminal |
| S3 | 1720411SM | 1 | SWITCH, NO, Black, Push Button W/Boot -(Reverse Switch) |
| S4 | 1714771SM | 1 | SWITCH, Seat, Gray Switch, Gray Retainer |
| S5 | 7022886YP | 1 | SWITCH, DP NO/NC SNAP -(Brake Pedal Switch) |
| S8 | 1761475YP | 1 | SWITCH, Height of Cut -(Optional Accessory) |
| S9 | 1761897YP | 1 | SWITCH, Reverse Mow Option |
| SP-A | ----- | 1 | SPLICE - A -(Splices are internal to the wire harness.) |
| SP-B | ----- | 1 | SPLICE - B -(Splices are internal to the wire harness.) |
| SP-C | ----- | 1 | SPLICE - C -(Splices are internal to the wire harness.) |
| WH1 | 1759779YP | 1 | HARNESS, Battery, Solenoid |
| WH2 | 1761300YP | 1 | HARNESS, Main |
| WH3 | 1761298YP | 1 | HARNESS, Headlight |
| WH4 | 1761347YP | 1 | HARNESS, Height of Cut -(Optional Accessory) |
| X1 | ----- | 1 | CONNECTOR, Engine |
| X4 | ----- | 1 | CHASSIS GROUND POINT |
| X5 | ----- | 1 | CONNECTOR, Main Harness to Headlight Harness |
| X6 | ----- | 1 | CONNECTOR, Battery Solenoid Harness to Main Harness |
| X7 | ----- | 1 | CONNECTOR, Main Harness to Height of Cut Harness |
| Y1 | 1755381YP | 1 | SOLENOID, L-BRACKET -(Starter Solenoid) |
| Y2 | 1760986YP | 1 | OGURA CLUTCH -(PTO Clutch) |

Electrical Schematic - Charging Circuit

Note: Unless noted otherwise, use the standard torque specifications

Mfg. No: 2691663-00



Electrical Schematic - Charging Circuit

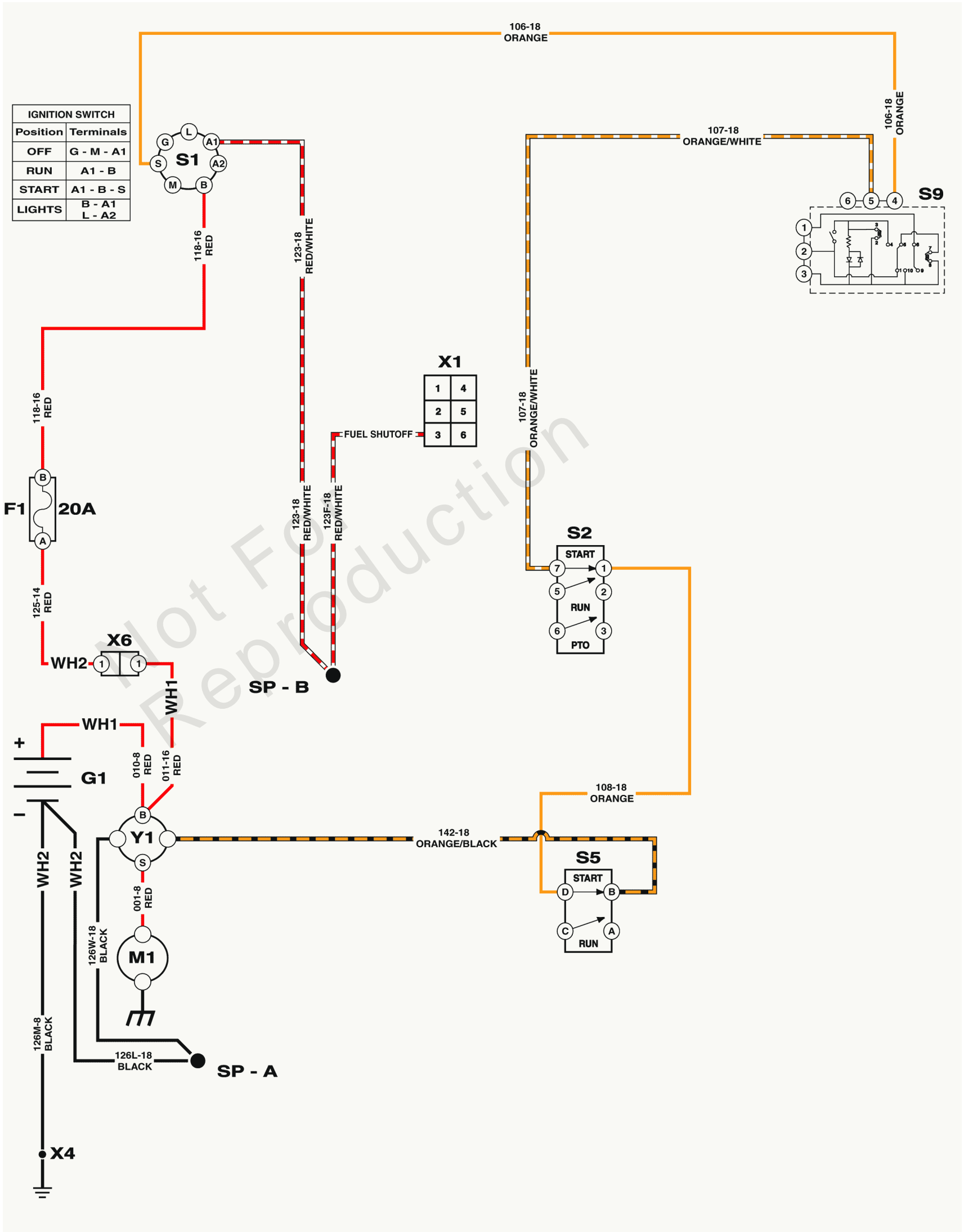
| REF NO | PART NO | QTY | DESCRIPTION |
|--------|-----------|-----|--|
| | ----- | | NOTE: All electrical components represented within this electrical schematic are at rest state (no power applied). |
| F1 | 1731957SM | 1 | FUSE, Wiring Harness |
| G1 | ----- | 1 | BATTERY, 12 Volt, 230 CCA |
| WH1 | 1759779YP | 1 | HARNESS, Battery, Solenoid |
| WH2 | 1761300YP | 1 | HARNESS, Main |
| X1 | ----- | 1 | CONNECTOR, Engine |
| X4 | ----- | 1 | CHASSIS GROUND POINT |
| X6 | ----- | 1 | CONNECTOR, Battery Solenoid Harness to Main Harness |
| Y1 | 1755381YP | 1 | SOLENOID, L-BRACKET -(Starter Solenoid) |

Not For Reproduction

Electrical Schematic - Cranking Circuit

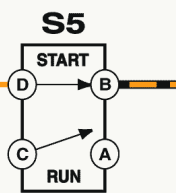
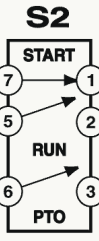
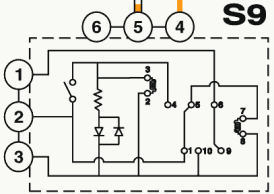
Note: Unless noted otherwise, use the standard torque specifications

Mfg. No: 2691663-00



| IGNITION SWITCH | |
|-----------------|------------------|
| Position | Terminals |
| OFF | G - M - A1 |
| RUN | A1 - B |
| START | A1 - B - S |
| LIGHTS | B - A1 L - A2 |

| X1 | |
|----|---|
| 1 | 4 |
| 2 | 5 |
| 3 | 6 |



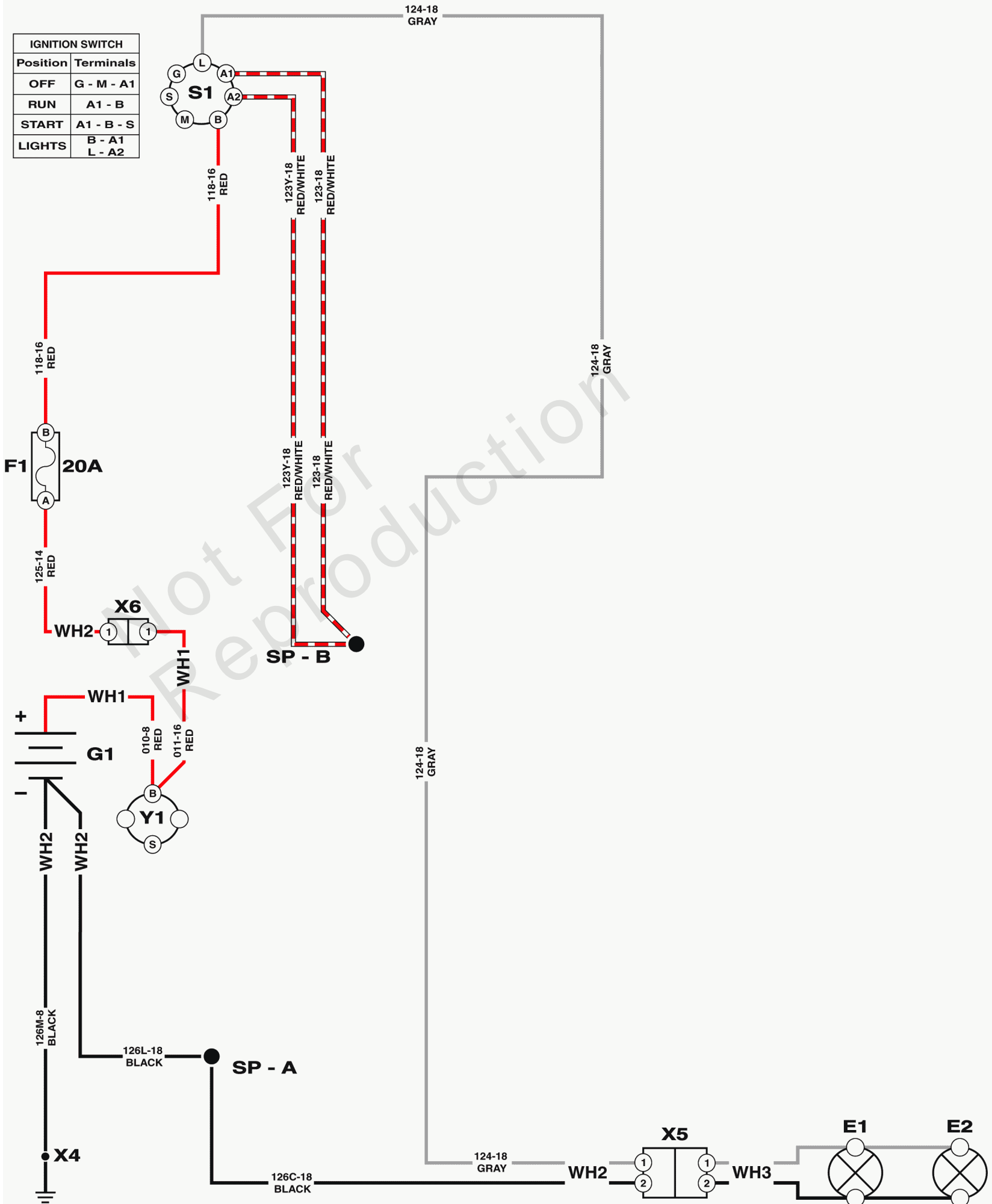
Electrical Schematic - Cranking Circuit

| REF NO | PART NO | QTY | DESCRIPTION |
|--------|-----------|-----|--|
| | ----- | | NOTE: All electrical components represented within this electrical schematic are at rest state (no power applied). |
| F1 | 1731957SM | 1 | FUSE, Wiring Harness |
| G1 | ----- | 1 | BATTERY, 12 Volt, 230 CCA |
| M1 | 592599 | 1 | MOTOR, Starter |
| S1 | 1761507YP | 1 | SWITCH, Ignition |
| S2 | 1722887YP | 1 | SWITCH, PTO Push/Pull, Yel Knob w/Symbols, 8 Terminal |
| S5 | 7022886YP | 1 | SWITCH, DP NO/NC SNAP -(Brake Pedal Switch) |
| S9 | 1761897YP | 1 | SWITCH, Reverse Mow Option |
| SP-A | ----- | 1 | SPLICE - A -(Splices are internal to the wire harness.) |
| SP-B | ----- | 1 | SPLICE - B -(Splices are internal to the wire harness.) |
| WH1 | 1759779YP | 1 | HARNESS, Battery, Solenoid |
| WH2 | 1761300YP | 1 | HARNESS, Main |
| X1 | ----- | 1 | CONNECTOR, Engine |
| X4 | ----- | 1 | CHASSIS GROUND POINT |
| X6 | ----- | 1 | CONNECTOR, Battery Solenoid Harness to Main Harness |
| Y1 | 1755381YP | 1 | SOLENOID, L-BRACKET -(Starter Solenoid) |

Electrical Schematic - Headlight Circuit

Note: Unless noted otherwise, use the standard torque specifications

Mfg. No: 2691663-00



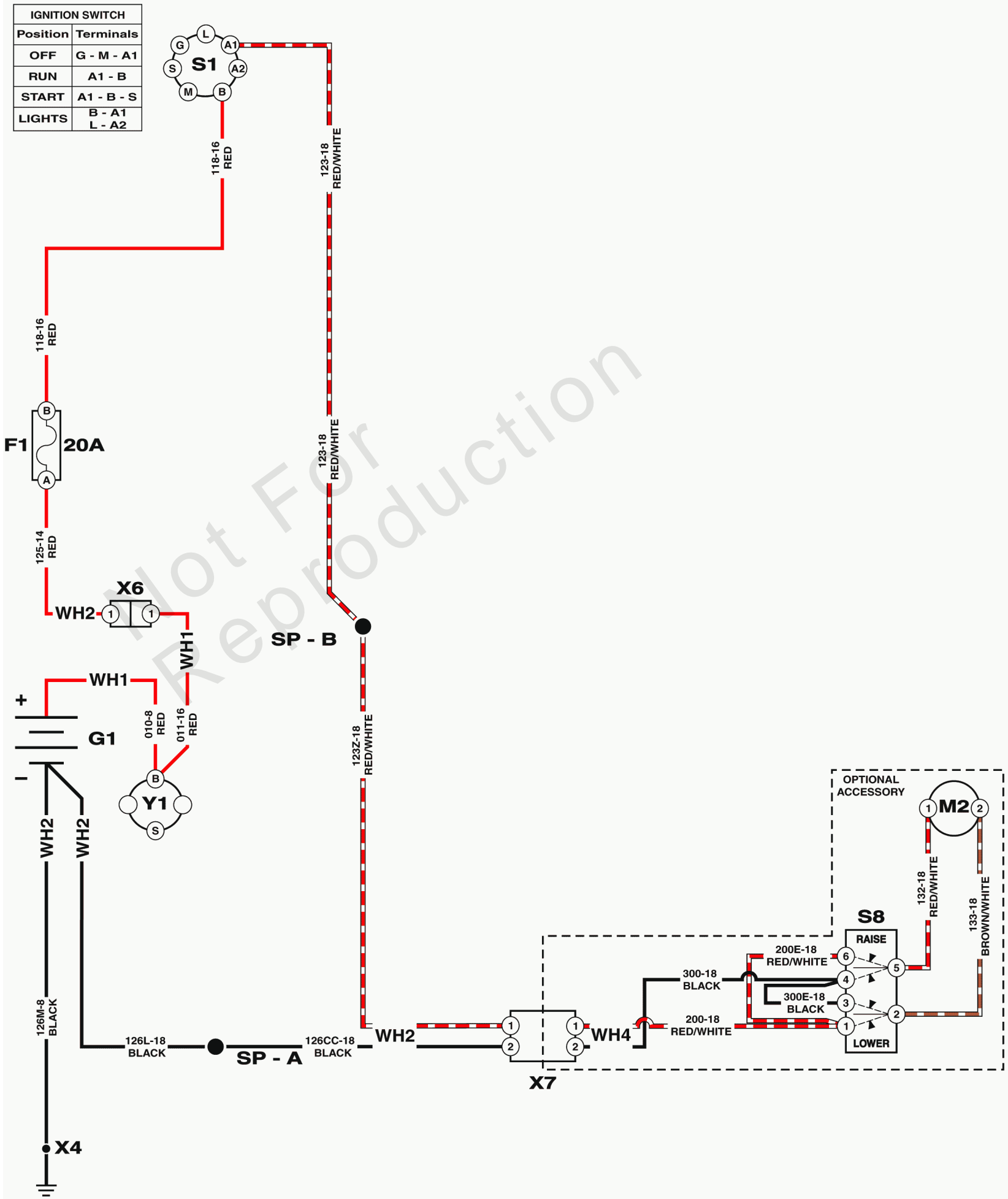
Electrical Schematic - Headlight Circuit

| REF NO | PART NO | QTY | DESCRIPTION |
|--------|-----------|-----|--|
| | ----- | | NOTE: All electrical components represented within this electrical schematic are at rest state (no power applied). |
| E1 | ----- | 1 | HEADLIGHT, Left |
| E2 | ----- | 1 | HEADLIGHT, Right |
| F1 | 1731957SM | 1 | FUSE, Wiring Harness |
| G1 | ----- | 1 | BATTERY, 12 Volt, 230 CCA |
| S1 | 1761507YP | 1 | SWITCH, Ignition |
| SP-A | ----- | 1 | SPLICE - A -(Splices are internal to the wire harness.) |
| SP-B | ----- | 1 | SPLICE - B -(Splices are internal to the wire harness.) |
| WH1 | 1759779YP | 1 | HARNESS, Battery, Solenoid |
| WH2 | 1761300YP | 1 | HARNESS, Main |
| WH3 | 1761298YP | 1 | HARNESS, Headlight |
| X4 | ----- | 1 | CHASSIS GROUND POINT |
| X5 | ----- | 1 | CONNECTOR, Main Harness to Headlight Harness |
| X6 | ----- | 1 | CONNECTOR, Battery Solenoid Harness to Main Harness |
| Y1 | 1755381YP | 1 | SOLENOID, L-BRACKET -(Starter Solenoid) |

Electrical Schematic - Height of Cut

Note: Unless noted otherwise, use the standard torque specifications

Mfg. No: 2691663-00



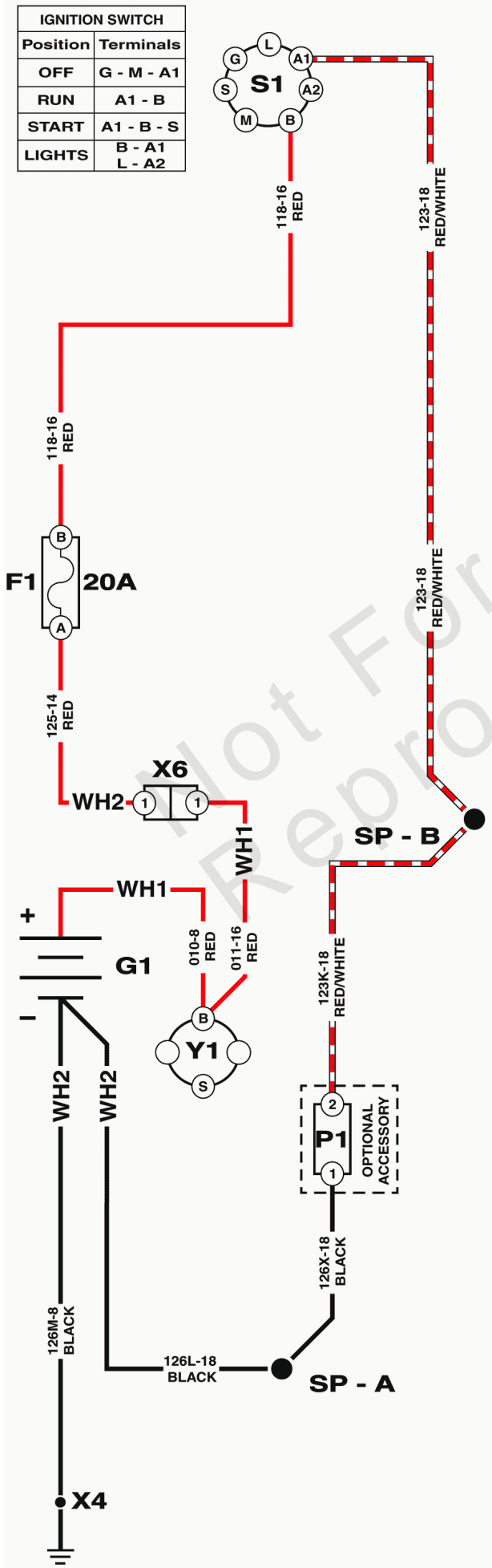
Electrical Schematic - Height of Cut

| REF NO | PART NO | QTY | DESCRIPTION |
|--------|-----------|-----|--|
| | ----- | | NOTE: All electrical components represented within this electrical schematic are at rest state (no power applied). |
| F1 | 1731957SM | 1 | FUSE, Wiring Harness |
| G1 | ----- | 1 | BATTERY, 12 Volt, 230 CCA |
| M2 | 1761788YP | 1 | MOTOR, Electric -(Optional Accessory) |
| S1 | 1761507YP | 1 | SWITCH, Ignition |
| S8 | 1761475YP | 1 | SWITCH, Height of Cut -(Optional Accessory) |
| SP-A | ----- | 1 | SPLICE - A -(Splices are internal to the wire harness.) |
| SP-B | ----- | 1 | SPLICE - B -(Splices are internal to the wire harness.) |
| WH1 | 1759779YP | 1 | HARNESS, Battery, Solenoid |
| WH2 | 1761300YP | 1 | HARNESS, Main |
| WH4 | 1761347YP | 1 | HARNESS, Height of Cut -(Optional Accessory) |
| X4 | ----- | 1 | CHASSIS GROUND POINT |
| X6 | ----- | 1 | CONNECTOR, Battery Solenoid Harness to Main Harness |
| X7 | ----- | 1 | CONNECTOR, Main Harness to Height of Cut Harness |
| Y1 | 1755381YP | 1 | SOLENOID, L-BRACKET -(Starter Solenoid) |

Electrical Schematic - Hour Meter

Note: Unless noted otherwise, use the standard torque specifications

Mfg. No: 2691663-00



Electrical Schematic - Hour Meter

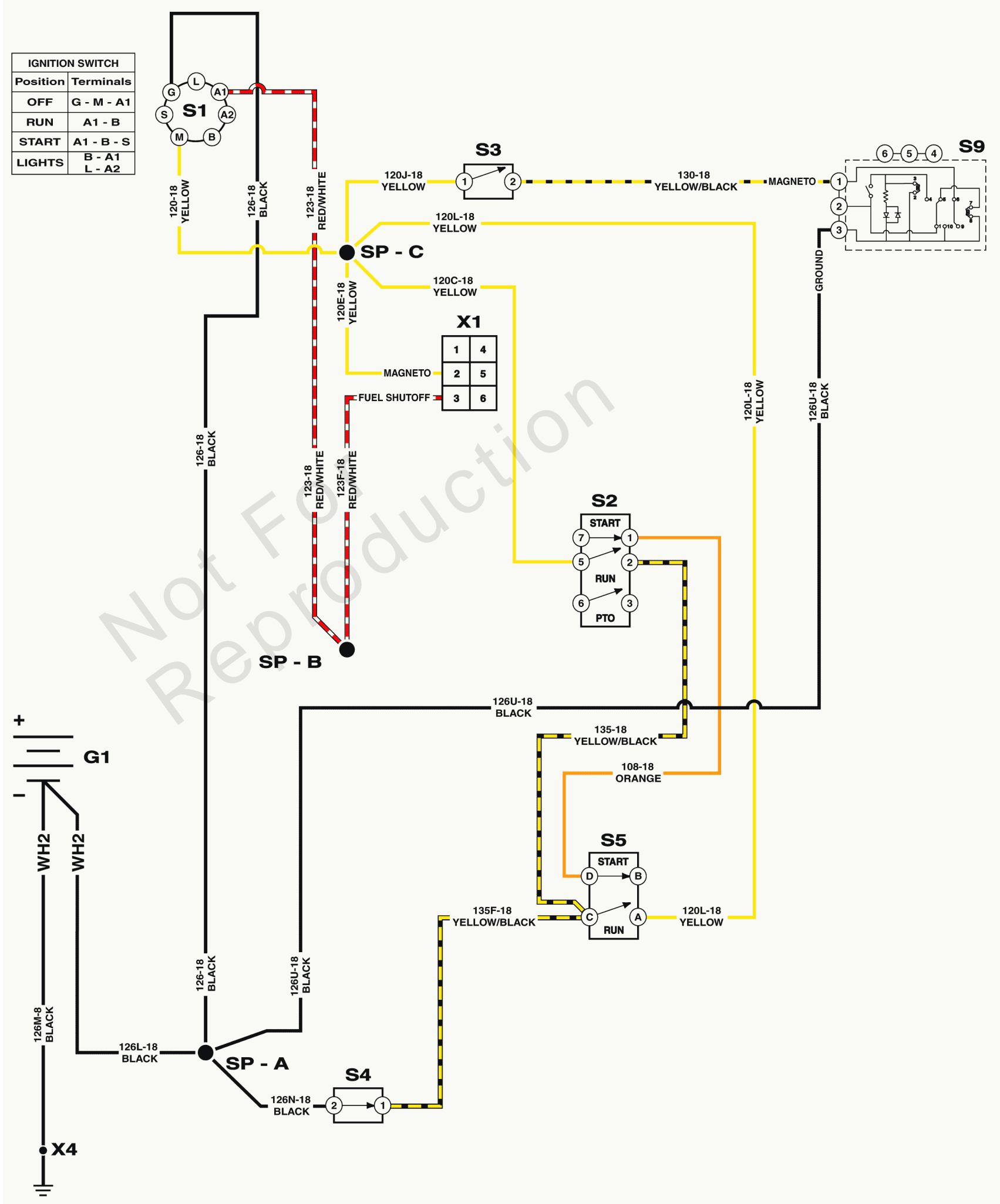
| REF NO | PART NO | QTY | DESCRIPTION |
|--------|-----------|-----|--|
| | ----- | | NOTE: All electrical components represented within this electrical schematic are at rest state (no power applied). |
| F1 | 1731957SM | 1 | FUSE, Wiring Harness |
| G1 | ----- | 1 | BATTERY, 12 Volt, 230 CCA |
| P1 | 1731185SM | 1 | METER-HOUR DIGITAL NO -(Optional Accessory) |
| S1 | 1761507YP | 1 | SWITCH, Ignition |
| SP-A | ----- | 1 | SPLICE - A -(Splices are internal to the wire harness.) |
| SP-B | ----- | 1 | SPLICE - B -(Splices are internal to the wire harness.) |
| WH1 | 1759779YP | 1 | HARNESS, Battery, Solenoid |
| WH2 | 1761300YP | 1 | HARNESS, Main |
| X4 | ----- | 1 | CHASSIS GROUND POINT |
| X6 | ----- | 1 | CONNECTOR, Battery Solenoid Harness to Main Harness |
| Y1 | 1755381YP | 1 | SOLENOID, L-BRACKET -(Starter Solenoid) |

Electrical Schematic - Ignition Shutdown

Note: Unless noted otherwise, use the standard torque specifications

Mfg. No: 2691663-00

| IGNITION SWITCH | |
|-----------------|------------------|
| Position | Terminals |
| OFF | G - M - A1 |
| RUN | A1 - B |
| START | A1 - B - S |
| LIGHTS | B - A1 L - A2 |



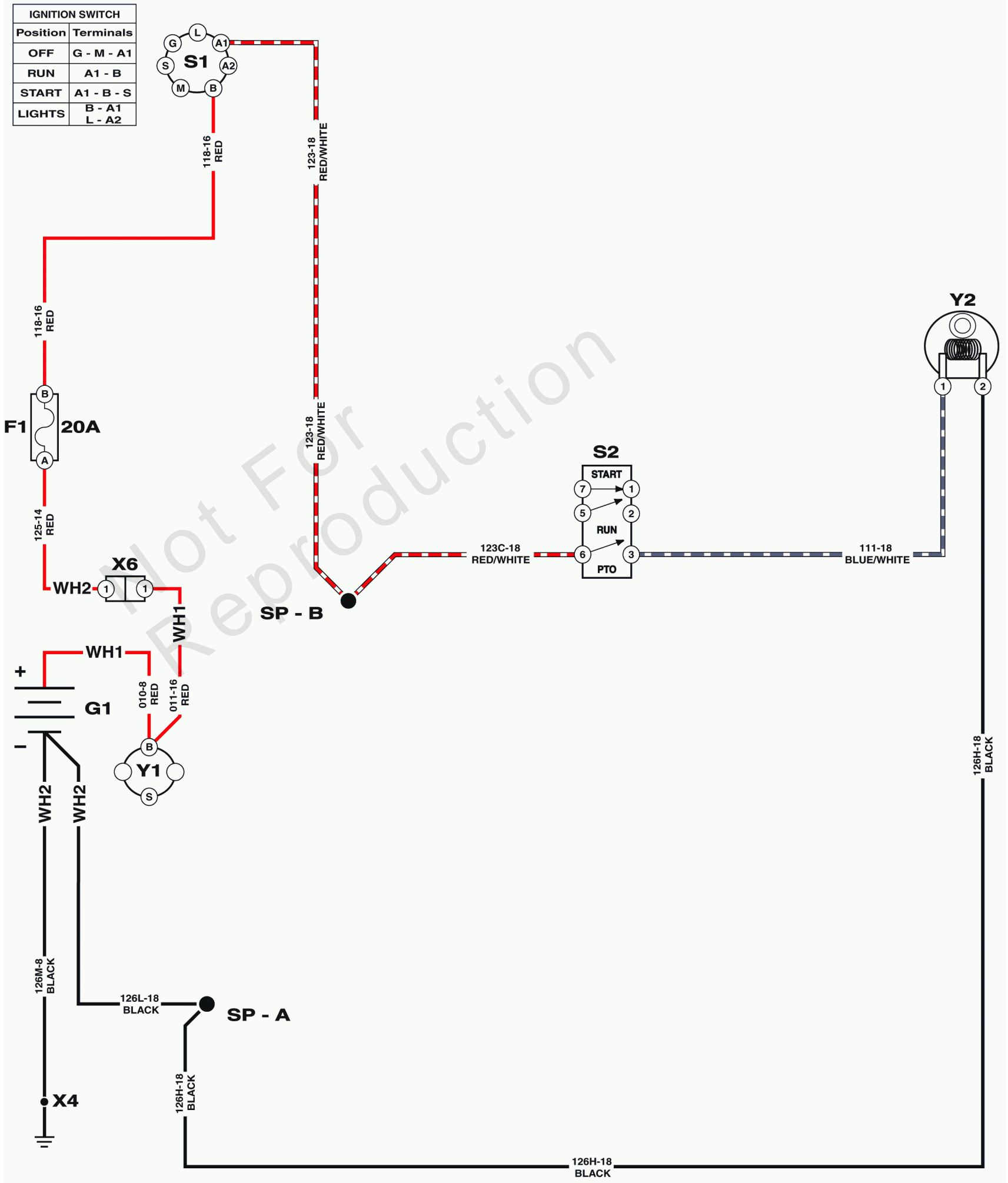
Electrical Schematic - Ignition Shutdown

| REF NO | PART NO | QTY | DESCRIPTION |
|--------|-----------|-----|--|
| | ----- | | NOTE: All electrical components represented within this electrical schematic are at rest state (no power applied). |
| G1 | ----- | 1 | BATTERY, 12 Volt, 230 CCA |
| S1 | 1761507YP | 1 | SWITCH, Ignition |
| S2 | 1722887YP | 1 | SWITCH, PTO Push/Pull, Yel Knob w/Symbols, 8 Terminal |
| S3 | 1720411SM | 1 | SWITCH, NO, Black, Push Button W/Boot -(Reverse Switch) |
| S4 | 1714771SM | 1 | SWITCH, Seat, Gray Switch, Gray Retainer |
| S5 | 7022886YP | 1 | SWITCH, DP NO/NC SNAP -(Brake Pedal Switch) |
| S9 | 1761897YP | 1 | SWITCH, Reverse Mow Option |
| SP-A | ----- | 1 | SPLICE - A -(Splices are internal to the wire harness.) |
| SP-B | ----- | 1 | SPLICE - B -(Splices are internal to the wire harness.) |
| SP-C | ----- | 1 | SPLICE - C -(Splices are internal to the wire harness.) |
| WH2 | 1761300YP | 1 | HARNESS, Main |
| X1 | ----- | 1 | CONNECTOR, Engine |
| X4 | ----- | 1 | CHASSIS GROUND POINT |

Electrical Schematic - PTO Clutch Circuit

Note: Unless noted otherwise, use the standard torque specifications

Mfg. No: 2691663-00



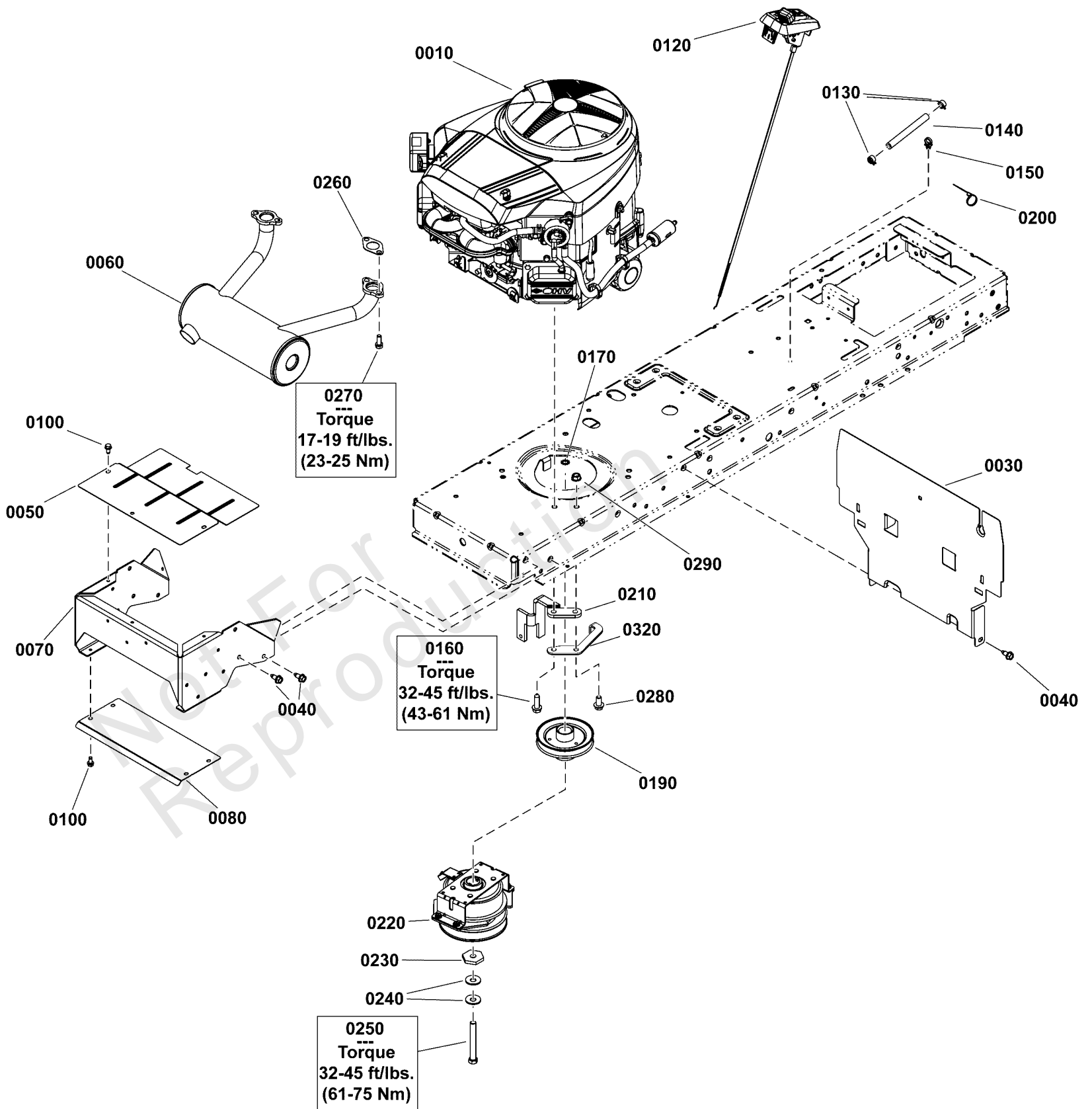
Electrical Schematic - PTO Clutch Circuit

| REF NO | PART NO | QTY | DESCRIPTION |
|--------|-----------|-----|--|
| | ----- | | NOTE: All electrical components represented within this electrical schematic are at rest state (no power applied). |
| F1 | 1731957SM | 1 | FUSE, Wiring Harness |
| G1 | ----- | 1 | BATTERY, 12 Volt, 230 CCA |
| S1 | 1761507YP | 1 | SWITCH, Ignition |
| S2 | 1722887YP | 1 | SWITCH, PTO Push/Pull, Yel Knob w/Symbols, 8 Terminal |
| SP-A | ----- | 1 | SPLICE - A -(Splices are internal to the wire harness.) |
| SP-B | ----- | 1 | SPLICE - B -(Splices are internal to the wire harness.) |
| WH1 | 1759779YP | 1 | HARNESS, Battery, Solenoid |
| WH2 | 1761300YP | 1 | HARNESS, Main |
| X4 | ----- | 1 | CHASSIS GROUND POINT |
| X6 | ----- | 1 | CONNECTOR, Battery Solenoid Harness to Main Harness |
| Y1 | 1755381YP | 1 | SOLENOID, L-BRACKET -(Starter Solenoid) |
| Y2 | 1760986YP | 1 | OGURA CLUTCH -(PTO Clutch) |

Engine Group

Note: Unless noted otherwise, use the standard torque specifications

Mfg. No: 2691663-00



Engine Group

| REF NO | PART NO | QTY | DESCRIPTION |
|--------|----------------|-----|--|
| 0010 | 44S977-0006-G1 | 1 | * ENGINE, 25 Gross HP Briggs & Stratton Pro Series, VS Twin -(Engine Model: 44S977-0006-G1) |
| 0030 | 1738380AYP | 1 | HEAT SHIELD, Engine |
| 0040 | 703228 | 6 | SCREW, 5/16-18 X .75 |
| 0050 | 1761064CJYP | 1 | HEAT SHIELD |
| 0060 | 1761127YP | 1 | MUFFLER, Twin |
| 0070 | 1761211CJYP | 1 | Support, Muffler |
| 0080 | 1761063CJYP | 1 | HEAT SHIELD, Bottom |
| 0100 | 704130 | 7 | SCREW, HEX, 1/4-20X.5 |
| 0120 | 1759240YP | 1 | THROTTLE |
| 0130 | 791850 | 2 | CLAMP, Hose |
| 0140 | 845503 | 1 | LINE-FUEL |
| 0150 | 1730268SM | 1 | CLIP, Hose, 1/2 Dia., Push In |
| 0160 | 704010 | 4 | SCREW, HEX, 3/8-16 |
| 0170 | 703864 | 1 | WASHER, EXT, 3/8 |
| 0190 | 1732576SM | 1 | PULLEY & HUB ASSEMBLY, Engine |
| 0200 | 703586 | 1 | TIE, SELF LOCKING |
| 0210 | 1760323CJYP | 1 | CLUTCH, Anchor |
| 0220 | 1760986YP | 1 | OGURA CLUTCH -(Position clutch as illustrated) |
| 0230 | 1708264SM | 1 | WASHER, HEX, 0.453ID |
| 0240 | 1960769YP | 2 | WASHER, Belleville |
| 0250 | 771023 | 1 | CAPSCREW, Hex Head, Loctite, 7/16-20 x 3 1/2 |
| 0260 | 690970 | 2 | GASKET, Exhaust |
| 0270 | 690341 | 4 | SCREW |
| 0280 | 704038 | 1 | SCREW |
| 0290 | 703333 | 1 | NUT, 3/8-16 |
| 0320 | 84004562 | 1 | GUIDE, Belt |

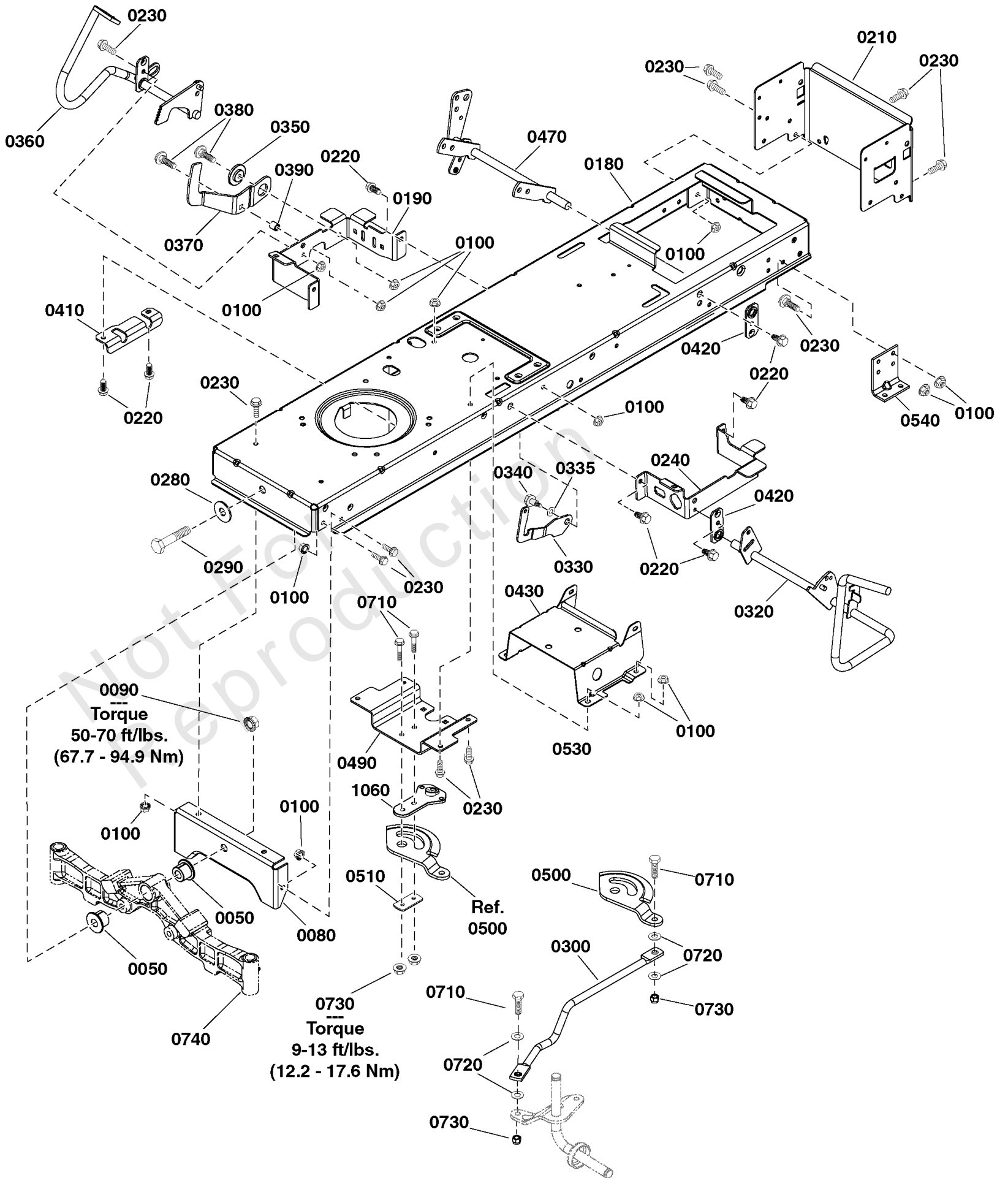
Footnotes:

Note* See your local Briggs & Stratton distributor for parts & service.

Frame & Front Axle Group

Note: Unless noted otherwise, use the standard torque specifications

Mfg. No: 2691663-00



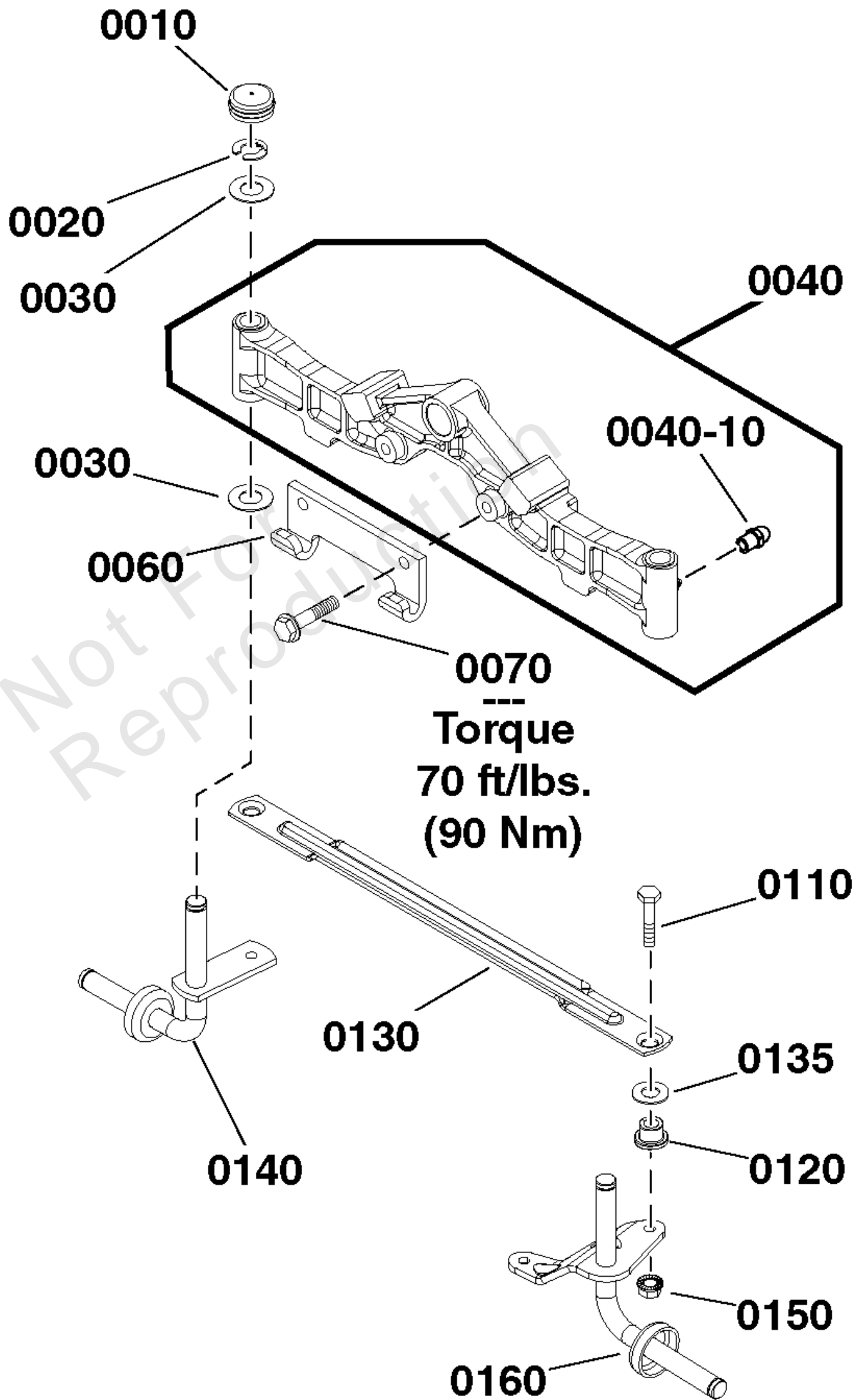
Frame & Front Axle Group

| REF NO | PART NO | QTY | DESCRIPTION |
|--------|-------------|-----|--|
| 0050 | 1730186SM | 2 | BUSHING, Axle Pivot |
| 0080 | 1727902SM | 1 | PLATE, Axle Support |
| 0090 | 2860646SM | 1 | NUT, Hex Flange, 5/8-11 |
| 0100 | 703409 | 26 | NUT, 5/16-18, GR5 |
| 0180 | ----- | 1 | FRAME |
| 0190 | 1759842BMYP | 1 | SUPPORT, Front Footrest, RH |
| 0210 | 1758690YP | 1 | SUPPORT, Rear Frame |
| 0220 | 703949 | 9 | SCREW, 5/16-18.625 |
| 0230 | 703354 | 23 | SCREW, 5/16-18 |
| 0240 | 1759841BMYP | 1 | SUPPORT, Front Footrest, LH |
| 0280 | 1960035SM | 1 | WASHER-0.625(0.64IDX1 |
| 0290 | 2860744SM | 1 | CAPSCREW, Hex Head, 5/8-11 x 3 1/4 |
| 0300 | 1738051YP | 1 | LINK, Drag (with Bearing), 5/16 |
| 0320 | 1736404AYP | 1 | PEDAL ASSY, BRAKE |
| 0330 | 1735595YP | 1 | LATCH, Brake Lock |
| 0335 | 7014296YP | 1 | WASHER, Shim |
| 0340 | 703851 | 1 | BOLT, 5/16-18X1.15 |
| 0350 | 1727935SM | 1 | SPACER-PIVOT 0.330ID |
| 0360 | 1736714AYP | 1 | FORWARD PEDAL ASSEMBLY |
| 0370 | 1727246SM | 1 | PEDAL, Reverse |
| 0380 | 703446 | 2 | BOLT, 5/16-18X1.25 G5 |
| 0390 | 1728024SM | 1 | SPACER, Foot Pedal |
| 0410 | 885591YP | 1 | BRACKET, PEDAL PIVOT |
| 0420 | 1727911ASM | 2 | PLATE, Bearing |
| 0430 | 1727282ASM | 1 | SUPPORT, Battery 12 GA |
| 0470 | 1737957YP | 1 | LIFT SHAFT ASSEMBLY |
| 0490 | 1761009YP | 1 | BRACKET, Sector Support |
| 0500 | 1751110YP | 1 | GEAR, Steering |
| 0510 | 1761011CJYP | 1 | PLATE, Sector Gear |
| 0530 | 703185 | 2 | BOLT, Round Head, Short Square Neck |
| 0540 | 1727903ASM | 2 | SUPPORT, Transmission |
| 0710 | 703570 | 4 | CAPSCREW, Hex Head, 5/16-18 x 1 1/4 |
| 0720 | 1919326SM | 4 | WASHER, 5/16 |
| 0730 | 704067 | 6 | NUT, HEX FLNG,5/16-18 -(Torque to 12-17 ft/lbs) |
| 0740 | ----- | 1 | Refer to: Front Axle Group |
| 1060 | 1761010YP | 1 | SUPPORT, Steering |

Front Axle Group

Note: Unless noted otherwise, use the standard torque specifications

Mfg. No: 2691663-00



Front Axle Group

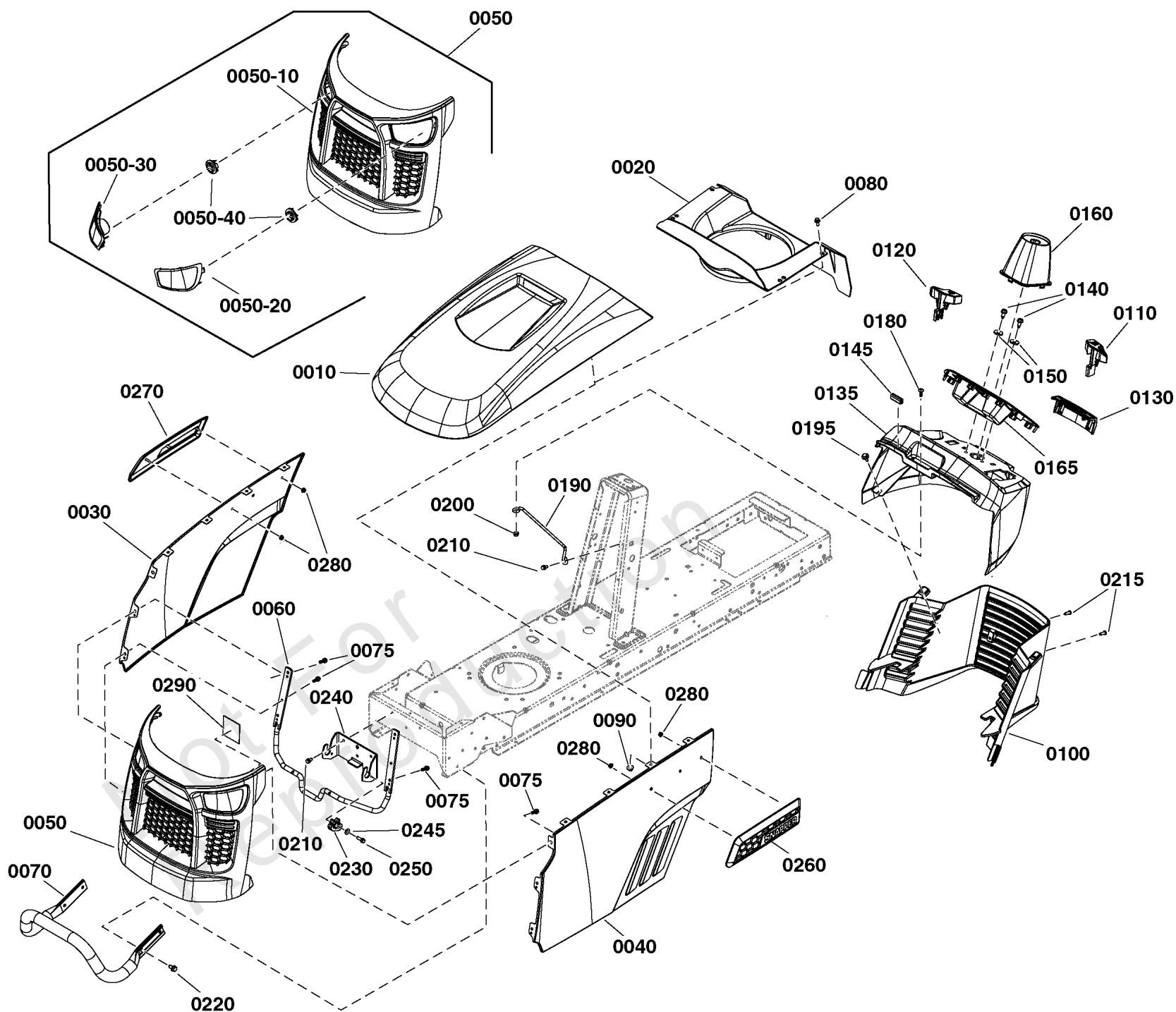
| REF NO | PART NO | QTY | DESCRIPTION |
|---------|------------|-----|---|
| 0010 | 1734135SM | 2 | CAP, Hub |
| 0020 | 1611710SM | 2 | E-RING, 3/4 |
| 0030 | 2860183SM | 4 | WASHER, Flat, 3/4 |
| 0040 | 1756386YP | 1 | AXLE, Front |
| 0040-10 | 1704314SM | 2 | LUBE FITTING, .250 DR -(Included with Ref. No. 0040) |
| 0060 | 1721918ASM | 1 | HOOK, Mower, Hitch |
| 0070 | 1960652SM | 2 | SCREW, Hex Flange, Whiz Lock, 7/16-14 x 1-1/2 |
| 0110 | 1960032SM | 2 | SCREW, Hex Head, 3/8-16 x 1 1/4 |
| 0120 | 1731912SM | 2 | BUSHING, 3/8 ID x 5/8 OD x 1/2 |
| 0130 | 1751964YP | 1 | TIE ROD |
| 0135 | 1960703SM | 2 | WASHER, 5/8 |
| 0140 | 1727872ASM | 1 | SPINDLE ASSEMBLY, R.H. |
| 0150 | 703893 | 2 | NUT, CNTR LCK, 3/8-16 |
| 0160 | 1751922YP | 1 | SPINDLE ASSEMBLY, L.H. |

Not For Reproduction

Hood, Grille & Dash Group

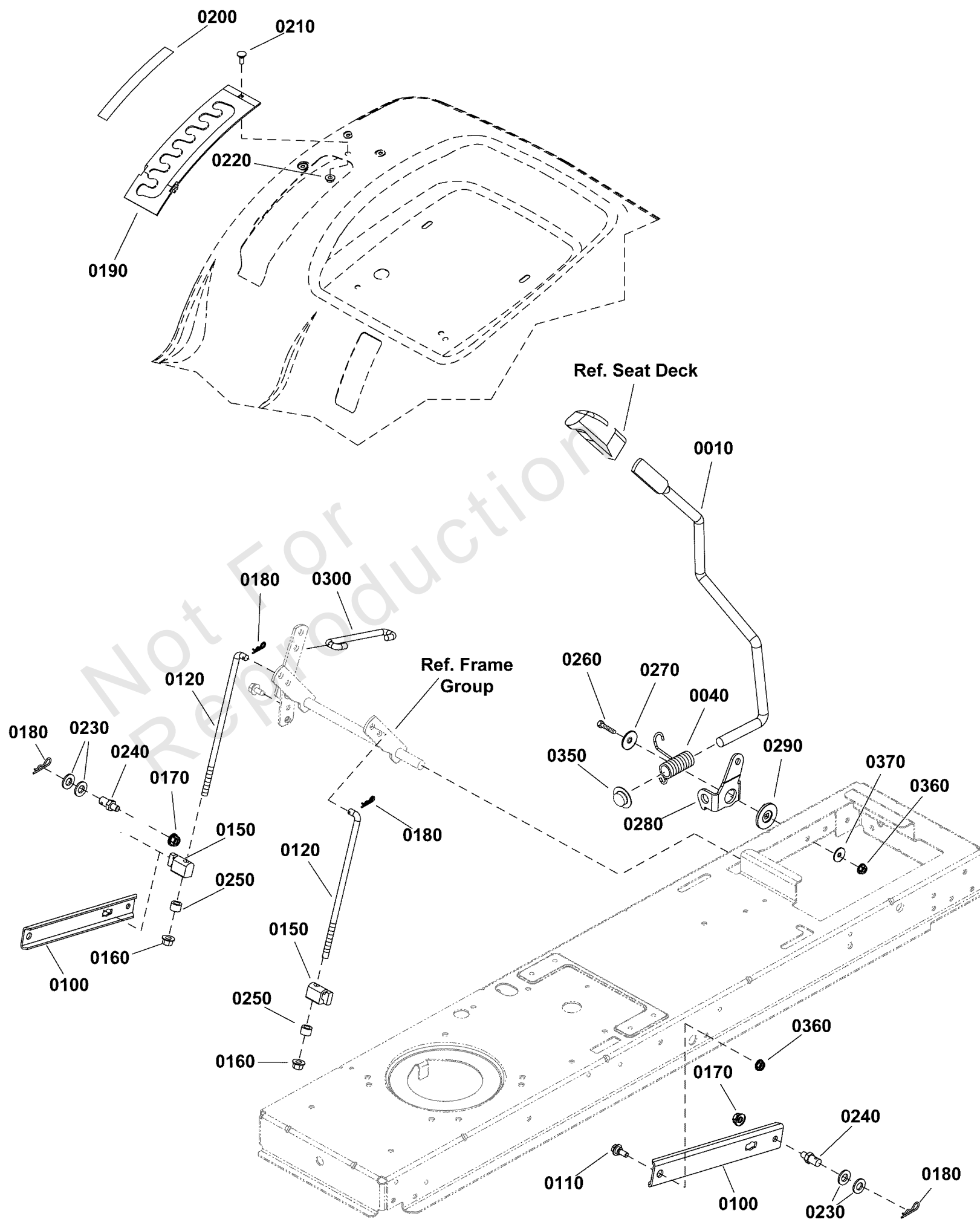
Note: Unless noted otherwise, use the standard torque specifications

Mfg. No: 2691663-00



Hood, Grille & Dash Group

| REF NO | PART NO | QTY | DESCRIPTION |
|---------|-------------|-----|---|
| 0010 | 1728031DSM | 1 | HOOD, with Scoop |
| 0020 | 7102326YP | 1 | AIR DUCT, Plenum |
| 0030 | 1761214DYP | 1 | PANEL, Side RH |
| 0040 | 1761215DYP | 1 | PANEL, Side, LH |
| 0050 | 1761263YP | 1 | GRILLE -(Incl. Ref. Nos. 0050-10, 0050-20, 0050-30 & 0050-40) |
| 0050-10 | 1761175YP | 1 | GRILLE, Front -(Included with Ref. No. 0050) |
| 0050-20 | 1761333YP | 1 | HEADLIGHT, LH -(Included with Ref. No. 0050) |
| 0050-30 | 1761334YP | 1 | HEADLIGHT, RH -(Included with Ref. No. 0050) |
| 0050-40 | 1760239YP | 2 | LED HEADLIGHT AND SOCKET ASSEMBLY -(Included with Ref. No. 0050) |
| 0060 | 1761070YP | 1 | ROD, Hood Hinge |
| 0070 | 1761254DYP | 1 | BUMPER, Tube |
| 0075 | 706369 | 6 | SCREW, Hex Washer Head, 1/4-10 x 3/4 |
| 0080 | 1960295SM | 8 | CAPSCREW, Hex Flange, Whiz Lock, 1/4-20 x 5/8 |
| 0090 | 703161 | 8 | NUT |
| 0100 | 1761508YP | 1 | LOWER DASH ASSEMBLY |
| 0110 | 1761401YP | 1 | KNOB, Parking Brake |
| 0120 | 1761402YP | 1 | KNOB, Cruise |
| 0130 | 1761510YP | 1 | DECORATIVE TRIM |
| 0135 | 1761253YP | 1 | DASH, Upper |
| 0140 | 703228 | 2 | SCREW, 5/16-18 X .75 |
| 0145 | 1761773YP | 2 | EDGING, Rubber |
| 0150 | 703298 | 2 | WASHER, 5/16 |
| 0160 | 1761399YP | 1 | COVER, Steering Shaft |
| 0165 | 1761464YP | 1 | DASH BEZEL |
| 0180 | 770135 | 1 | SCREW |
| 0190 | 1761481YP | 1 | ROD, Dash Support |
| 0195 | 2860664SM | 2 | SCREW, HEX SEMS WSHR, |
| 0200 | 703463 | 1 | NUT, GR5, 1/4-20 |
| 0210 | 704130 | 4 | SCREW, HEX, 1/4-20X.5 |
| 0215 | 1960556SM | 2 | SCREW, Pan Head Torx, Taptite, 1/4-20 x 3/4 |
| 0220 | 703985 | 4 | SCREW, 5/16-18X.5 |
| 0230 | 1761068YP | 2 | CLIP, Hood Hinge |
| 0240 | 1761212CJYP | 1 | BRACKET, Hood Hinge |
| 0245 | 703332 | 2 | WASHER |
| 0250 | 703466 | 2 | BOLT, GR5, 1/4X.0750 |
| 0260 | 1761342YP | 1 | BADGE, Snapper, LH |
| 0270 | 1761343YP | 1 | BADGE, Snapper, RH |
| 0280 | 189164GS | 4 | PALNUT, 3/16 |
| 0290 | 1761818YP | 1 | INSULATION, Thermal |



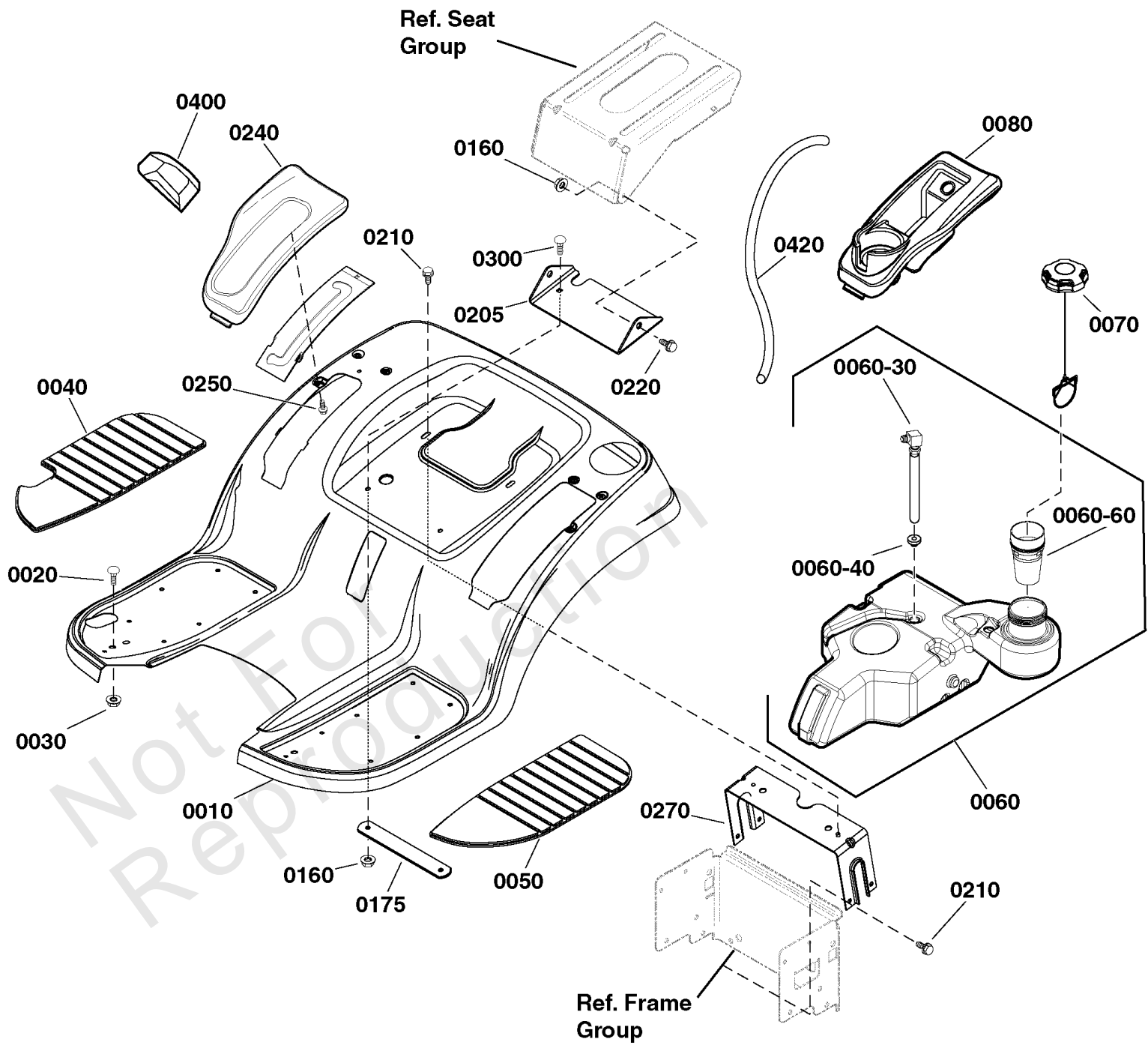
Lift Group - Manual

| REF NO | PART NO | QTY | DESCRIPTION |
|--------|------------|-----|-------------------------------|
| 0010 | 1728070SM | 1 | ROD, Lift Handle, 17.7 |
| 0040 | 1729652SM | 1 | SPRING, Torsion |
| 0100 | 1731417SM | 2 | ARM, Rear Lift |
| 0110 | 1732426SM | 2 | BOLT-SHLDR 5/16-18 0. |
| 0120 | 1727955SM | 2 | ROD, Lower Lift, 10.00 LG |
| 0150 | 1731894SM | 2 | TRUNNION |
| 0160 | 1960687SM | 2 | NUT, Hex Flange, ESNA, 3/8-16 |
| 0170 | 1931211SM | 2 | NUT, Hex, Flange Lock, 3/8-16 |
| 0180 | 1960074SM | 4 | CLIP, HAIR PIN .093DI |
| 0190 | 1727985SM | 1 | QUADRANT, Lift Height |
| 0200 | 1730264SM | 1 | DECAL, Height Of Cut |
| 0210 | 1960252SM | 1 | BOLT-RD HD SH SQ NK 1 |
| 0220 | 1930641SM | 1 | NUT, Hex Flange Whiz, 1/4-20 |
| 0230 | 1960170SM | 2 | WASHER, 1/2 |
| 0240 | 094067MA | 2 | PIN, Threaded Shoulder |
| 0250 | 1666294SM | 2 | SPACER |
| 0260 | 84003606 | 1 | SCREW |
| 0270 | 1933468SM | 1 | WASHER, 5/16 x 1-1/4 OD |
| 0280 | 1728990ASM | 1 | CLEVIS, Lift |
| 0290 | 1727935SM | 1 | SPACER-PIVOT 0.330ID |
| 0300 | 1727954SM | 1 | ROD, Lift, 5.43 LG |
| 0350 | 771009 | 1 | PUSHNUT, 5/8 |
| 0360 | 703115 | 3 | NUT |
| 0370 | 703298 | 1 | WASHER, 5/16 |

Seat Deck & Fuel Tank Group

Note: Unless noted otherwise, use the standard torque specifications

Mfg. No: 2691663-00



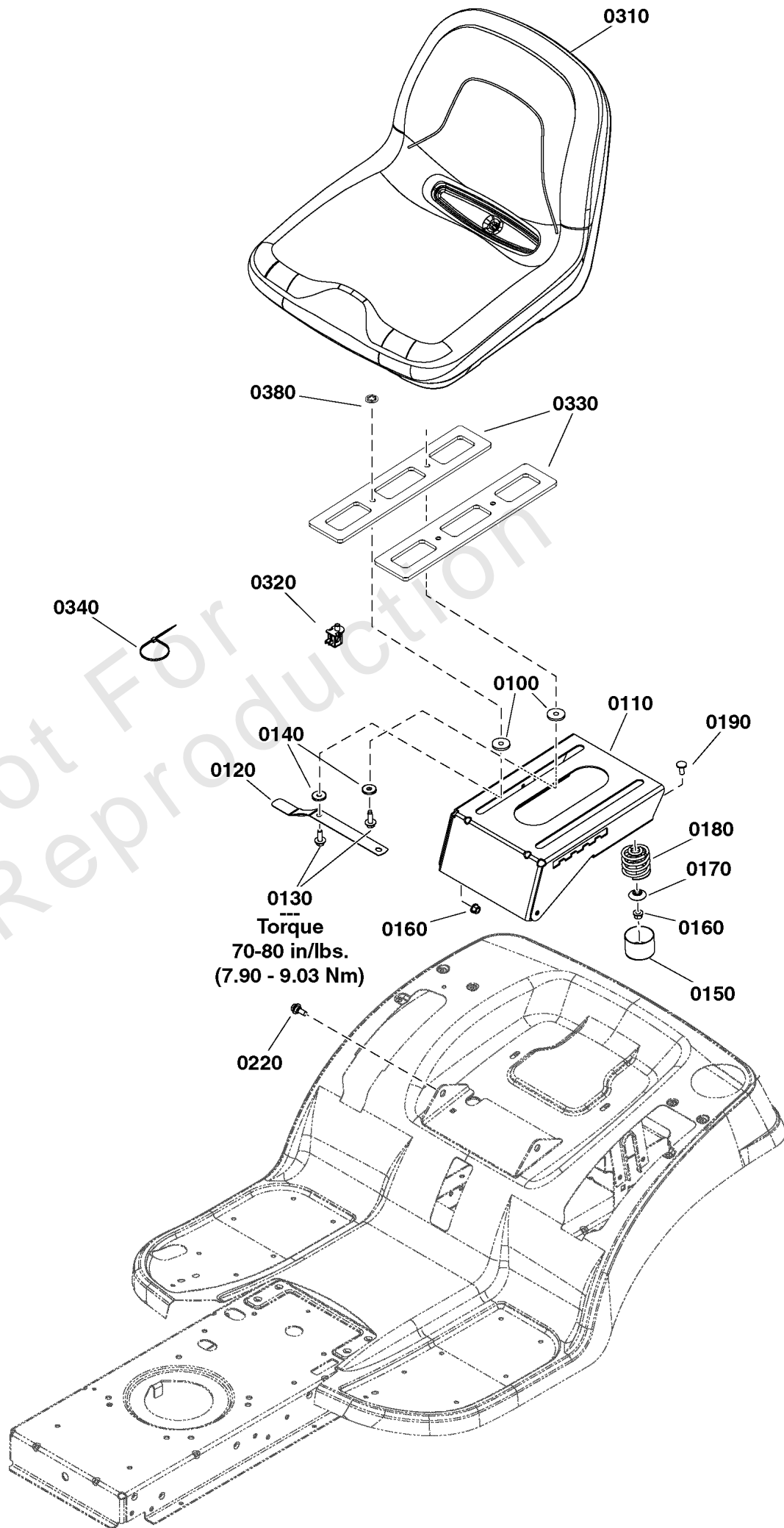
Seat Deck & Fuel Tank Group

| REF NO | PART NO | QTY | DESCRIPTION |
|---------|--------------|-----|--|
| 0010 | 1727264DSM | 1 | SEAT DECK |
| 0020 | 703185 | 2 | BOLT, Round Head, Short Square Neck |
| 0030 | 703409 | 2 | NUT, 5/16-18, GR5 |
| 0040 | 1728007SM | 1 | PAD, Footrest, R.H. |
| 0050 | 1728006SM | 1 | PAD, Footrest, L.H. |
| 0060 | 1751226YP | 1 | TANK, Fuel -(Includes Ref. Nos. 0060-30, 0060-40 & 0060-60) |
| 0060-30 | 1736609YP | 1 | FITTING & HOSE ASSEMBLY, Fuel Tank |
| 0060-40 | 1654930SM | 1 | BUSHING, Fuel Tank |
| 0060-60 | ----- | 1 | DROP TUBE -(Not Serviceable. Order Ref. Nos. 0060) |
| 0070 | 1761224YP | 1 | CAP, Fuel |
| 0080 | 1739535YP | 1 | POD, L.H. |
| 0160 | 703115 | 2 | NUT |
| 0175 | 1759177CJYP | 1 | BRACKET, Support, Seat Pivot |
| 0205 | 1757755BMYP | 1 | SUPPORT, Seat Pivot |
| 0210 | 703949 | 6 | SCREW, 5/16-18.625 |
| 0220 | 703851 | 2 | BOLT, 5/16-18X1.15 |
| 0240 | 1739537YP | 1 | POD, R.H. |
| 0250 | 1960536SM | 6 | SCREW, HEX WSHR HD PL |
| 0270 | 1731310SM | 1 | SUPPORT, Seat Deck |
| 0300 | 704065 | 2 | BOLT, 5/16-18X.875 |
| 0400 | 1722302SM | 1 | GRIP |
| 0420 | 7700552X91YP | 1 | HOSE, VAPOR, 91" -(Cut to Length) |
| 0440 | 703586 | 2 | TIE, SELF LOCKING |

Seat Group

Note: Unless noted otherwise, use the standard torque specifications

Mfg. No: 2691663-00



Seat Group

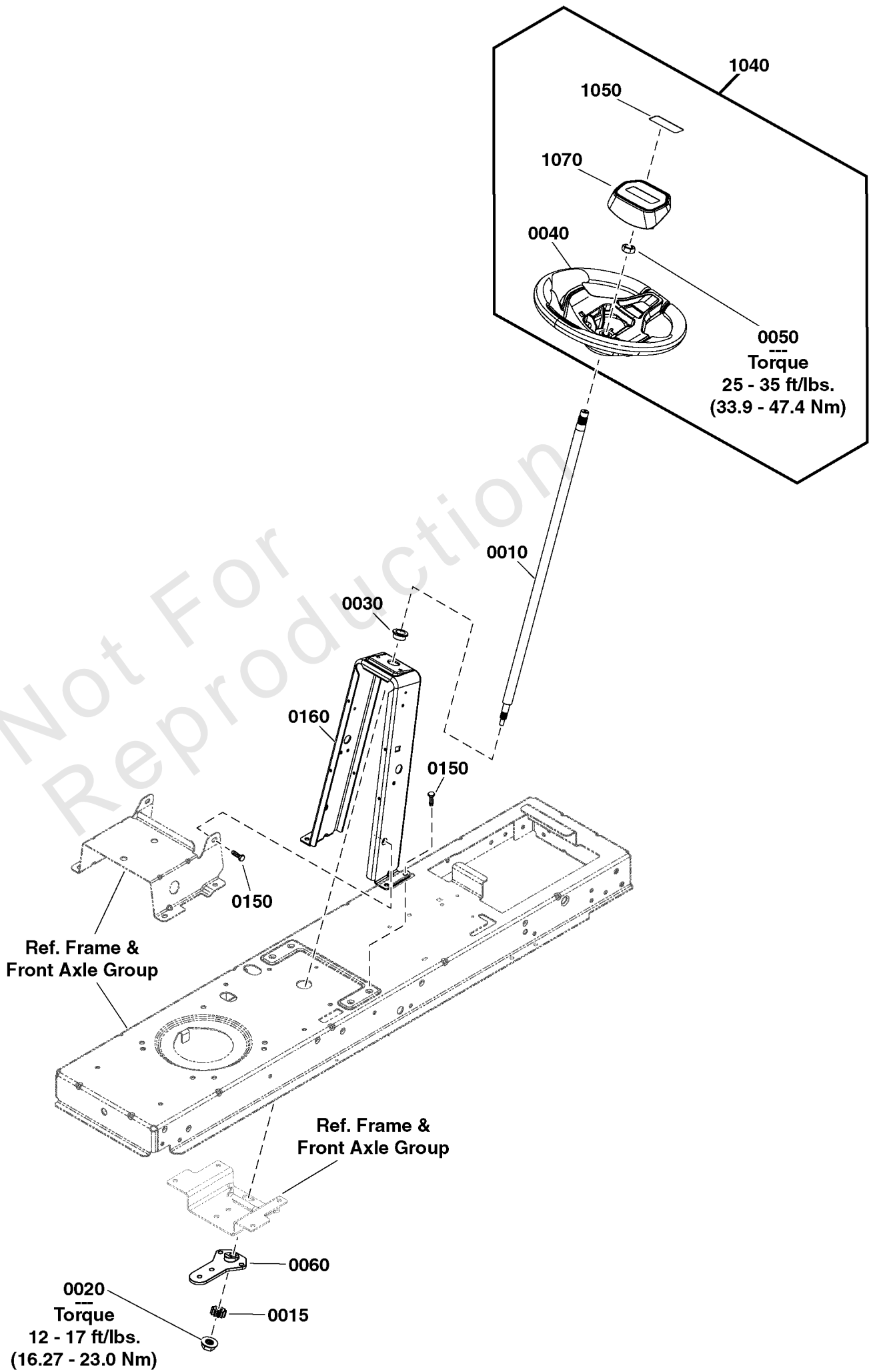
| REF NO | PART NO | QTY | DESCRIPTION |
|--------|-------------|-----|---|
| 0100 | 1731300SM | 4 | SPACER, 5/16 ID x 1-1/4 OD x 5/16" |
| 0110 | 1755767BMYP | 1 | SUPPORT, Seat |
| 0120 | 1727268BMYP | 1 | LATCH, Seat |
| 0130 | 1933689SM | 4 | SCREW, 5/16-18 x 1-1/2, Hex Flange, Whiz Lock |
| 0140 | 703298 | 4 | WASHER, 5/16 |
| 0150 | 1704724SM | 2 | COVER, Spring, 1-1/2" |
| 0160 | 703115 | 4 | NUT |
| 0170 | 1709256SM | 2 | WASHER, Spring, 5/16 x 1 1/4 |
| 0180 | 1704728SM | 2 | SPRING, Compression, 2" |
| 0190 | 703225 | 2 | BOLT |
| 0220 | 703851 | 2 | BOLT, 5/16-18X1.15 |
| 0310 | 84003944 | 1 | SEAT, 15" |
| 0320 | 7023354YP | 1 | SWITCH, SEAT |
| 0330 | 84003652 | 2 | SPACER, Plate |
| 0340 | 703586 | 1 | TIE, SELF LOCKING |
| 0380 | 703297 | 4 | RETAINER, GR5, 5/16 |

Not For Reproduction

Steering Group

Note: Unless noted otherwise, use the standard torque specifications

Mfg. No: 2691663-00



Steering Group

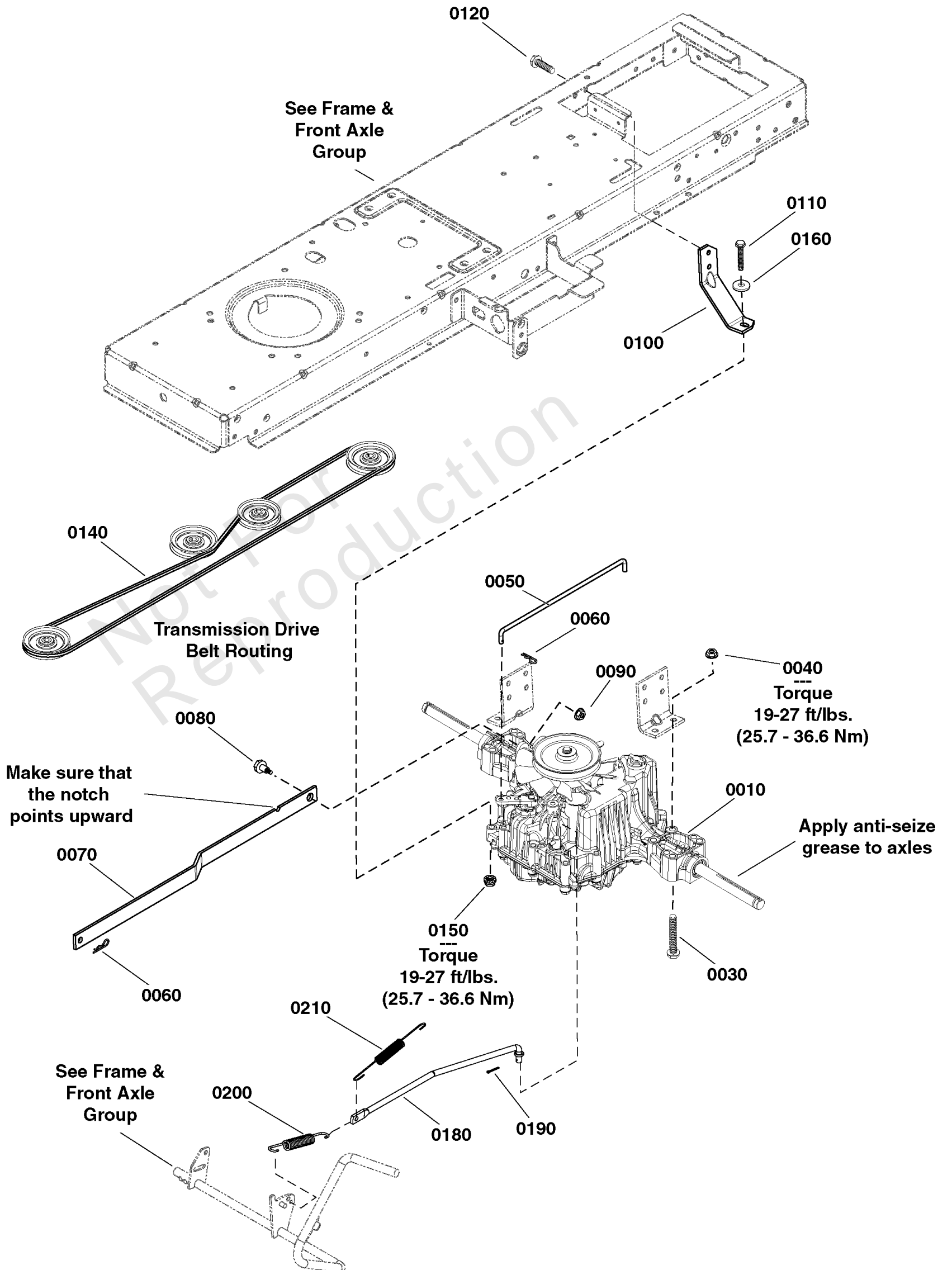
| REF NO | PART NO | QTY | DESCRIPTION |
|--------|-------------|-----|--|
| 0010 | 1761012YP | 1 | SHAFT, Steering |
| 0015 | 1761013YP | 1 | GEAR, Pinion |
| 0020 | 703115 | 1 | NUT |
| 0030 | 1729665SM | 1 | BUSHING, Steering, 3/4 ID |
| 1040 | 84001121 | 1 | KIT, Steering Wheel, Snapper -(Incl. Ref. Nos. 0040, 0050, 1050 & 1070) |
| 0040 | ----- | 1 | STEERING WHEEL |
| 0050 | 1960576SM | 1 | NUT, Hex Lock, ESNA Light, 5/8-18 |
| 1050 | 84002249 | 1 | DECAL, Snapper Logo, 3.1" X .8" |
| 1070 | 84002250 | 1 | CAP, Steering Wheel |
| 0060 | 1761010YP | 1 | SUPPORT, Steering |
| 0150 | 703949 | 6 | SCREW, 5/16-18.625 |
| 0160 | 1761498CJYP | 1 | TOWER, Steering |

Not For Reproduction

Transmission Group

Note: Unless noted otherwise, use the standard torque specifications

Mfg. No: 2691663-00



Transmission Group

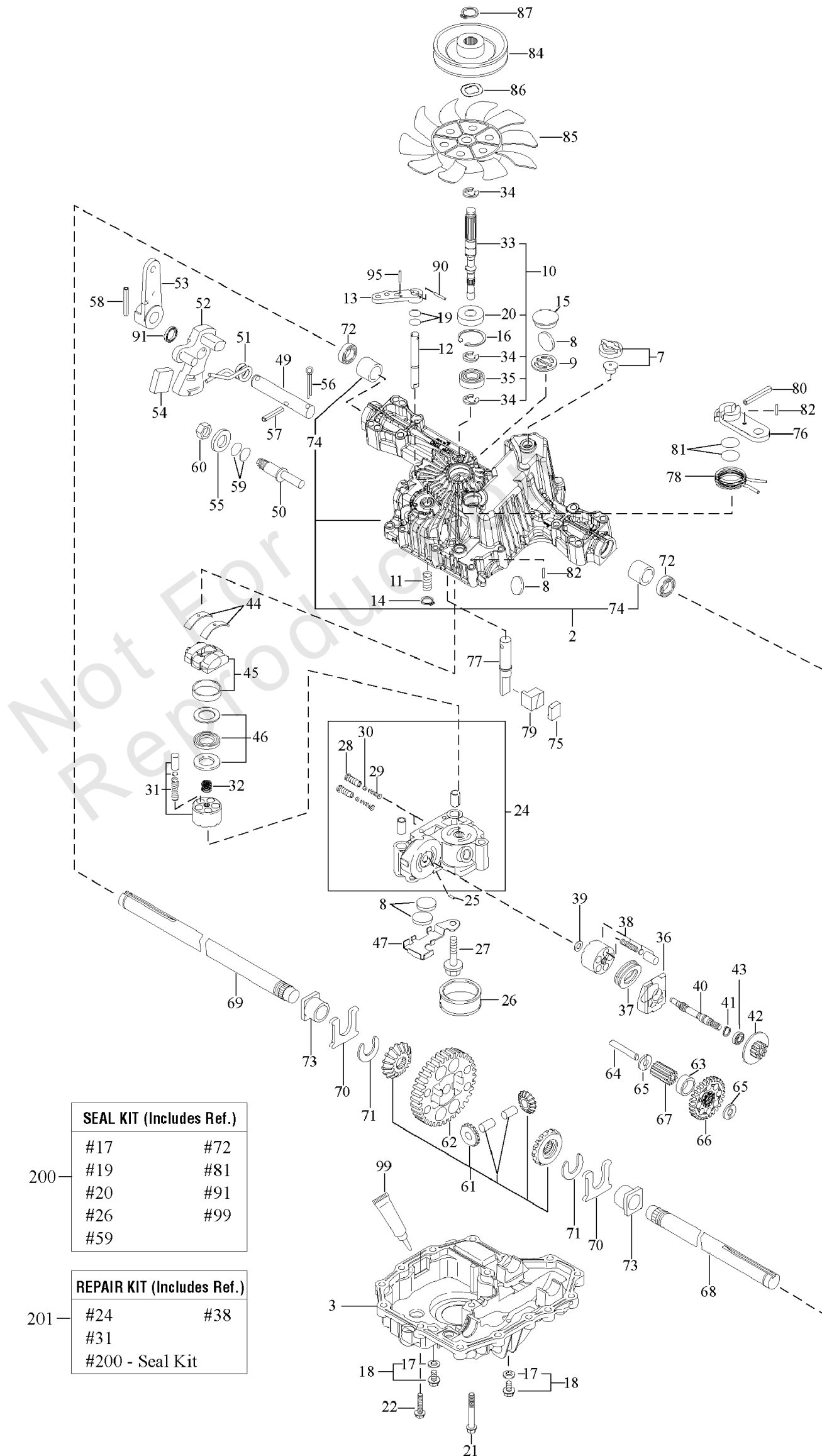
| REF NO | PART NO | QTY | DESCRIPTION |
|--------|------------|-----|--|
| 0010 | 1761324YP | 1 | TRANSMISSION ASSEMBLY, Tuff Torque, K46BP |
| 0030 | 1960586SM | 4 | CAPSCREW, Hex Flange, Whiz Lock, 5/16-18 x 2-1/2 |
| 0040 | 1931277SM | 4 | NUT, Hex Flange Whiz Lock Small, 5/16-18 |
| 0050 | 1728120SM | 1 | ROD, Bypass, 1/4 x 11 7/16 |
| 0060 | 1722460SM | 2 | PIN, Hair |
| 0070 | 1727258ASM | 1 | ARM, Control |
| 0080 | 1732426SM | 1 | BOLT-SHLDR 5/16-18 0. |
| 0090 | 1935048SM | 1 | NUT, Hex Flange, Two Way Lock, 5/16-18 |
| 0100 | 1728043ASM | 1 | STRAP, Torque 7 GA |
| 0110 | 1922127SM | 1 | SCREW, Hex Head Cap, 5/16-18 x 1 3/4 |
| 0120 | 1664847SM | 1 | SCREW, Taptite, 5/16-18 x 3/4 |
| 0140 | 1728008SM | 1 | V-BELT, HA, 89-1/4" Long |
| 0150 | 1960686SM | 1 | NUT, Hex Flange Nylock, 5/16-18 |
| 0160 | 1919381SM | 1 | WASHER, Flat, .34 ID x 1" OD |
| 0180 | 1727253SM | 1 | ROD, Brake, 3/8 Dia. x 15-1/8 Long |
| 0190 | 1918447SM | 1 | PIN, Cotter, 15/16 x 3/4 |
| 0200 | 1731262SM | 1 | SPRING, Extension, 11/16 x 3-3/8 |
| 0210 | 1721995SM | 1 | SPRING, Extension, 5/8 x 6-5/8 |

Not For Reproduction

Transmission SERVICE PARTS - Tuff Torq K46BP (1729588)

Note: Unless noted otherwise, use the standard torque specifications

Mfg. No: 2691663-00



| SEAL KIT (Includes Ref.) | |
|--------------------------|-----|
| #17 | #72 |
| #19 | #81 |
| #20 | #91 |
| #26 | #99 |
| #59 | |

200

| REPAIR KIT (Includes Ref.) | |
|----------------------------|-----|
| #24 | #38 |
| #31 | |
| #200 - Seal Kit | |

201

Transmission SERVICE PARTS - Tuff Torq K46BP (1729588)

| REF NO | PART NO | QTY | DESCRIPTION |
|--------|-----------|-----|---|
| 1 | 1729588SM | | TRANSMISSION ASSEMBLY, Tuff Torque, K46BP |
| 2 | ----- | | *KIT, Upper Case |
| 3 | ----- | | *LOWER CASE |
| 7 | 1718052SM | | VENT VALVE 15 |
| 8 | 1724279SM | | MAGNET |
| 9 | ----- | | *MAGNET HOLDER |
| 10 | ----- | | *PUMP SHAFT/BEARING KIT |
| 11 | ----- | | SPRING 25 |
| 12 | 1724281SM | | BYPASS SHAFT A |
| 13 | 1720418SM | | LEVER, Bypass |
| 14 | 1718061SM | | RING, Snap, 10 |
| 15 | 1724282SM | | SEALING CAP, 30 |
| 16 | 1708650SM | | RING, Snap, C 35 |
| 17 | 1724323YP | | SEAL WASHER, 8 |
| 18 | ----- | | KIT, Drain Bolt |
| 21 | ----- | | SCREW, Tapping, 8 * 55 |
| 22 | 1707789SM | | SCREW, Tapping, 8 * 30 |
| 24 | ----- | | CENTER CASE E W/BALL IDS SERVICE KIT |
| 25 | 1718070SM | | PIN, 3 * 9.8 |
| 26 | ----- | | FILTER 105 |
| 27 | 1720805SM | | BOLT, 10 * 75 |
| 28 | ----- | | IDS VALVE 1.0 |
| 29 | 1724287SM | | IDS SPRING |
| 30 | ----- | | BALL, 3/16 |
| 31 | ----- | | KIT, Cylinder Block (Pump) |
| 32 | 1724290SM | | SPRING |
| 33 | 1739892YP | | PUMP SHAFT |
| 34 | 1718076SM | | E-RING, 15 |
| 35 | 1708673SM | | BEARING, 6202C3 |
| 36 | 1718077SM | | MOTOR HOUSING |
| 37 | ----- | | THRUST BEARING 51106 |
| 38 | 1718079SM | | KIT, Cylinder Block |
| 39 | 1718084SM | | WASHER, 12 * 24 * 1 |
| 40 | 1724943SM | | MOTOR SHAFT |
| 41 | 1708672SM | | RING, Snap, S15 |
| 42 | 1724294SM | | BRAKE DISC/MOTOR GEAR (11T) |
| 43 | ----- | | BEARING, 6202 RSR C3 |
| 44 | 1718089SM | | THRUST METAL |
| 45 | ----- | | SWASH PLATE CMP |
| 46 | 1718086SM | | THRUST BEARING K81105 |
| 49 | ----- | | CONTROL SHAFT |
| 50 | ----- | | FULCRUM |
| 51 | ----- | | SPRING, Torsion |
| 52 | ----- | | CONTROL ARM A |
| 53 | 1724347SM | | CONTROL LEVER C |
| 54 | ----- | | JERKY PLATE |
| 55 | 1708689SM | | WASHER, 12 |
| 56 | 1724349SM | | COTTER PIN, 1/8 * 3/4 |

Footnotes:

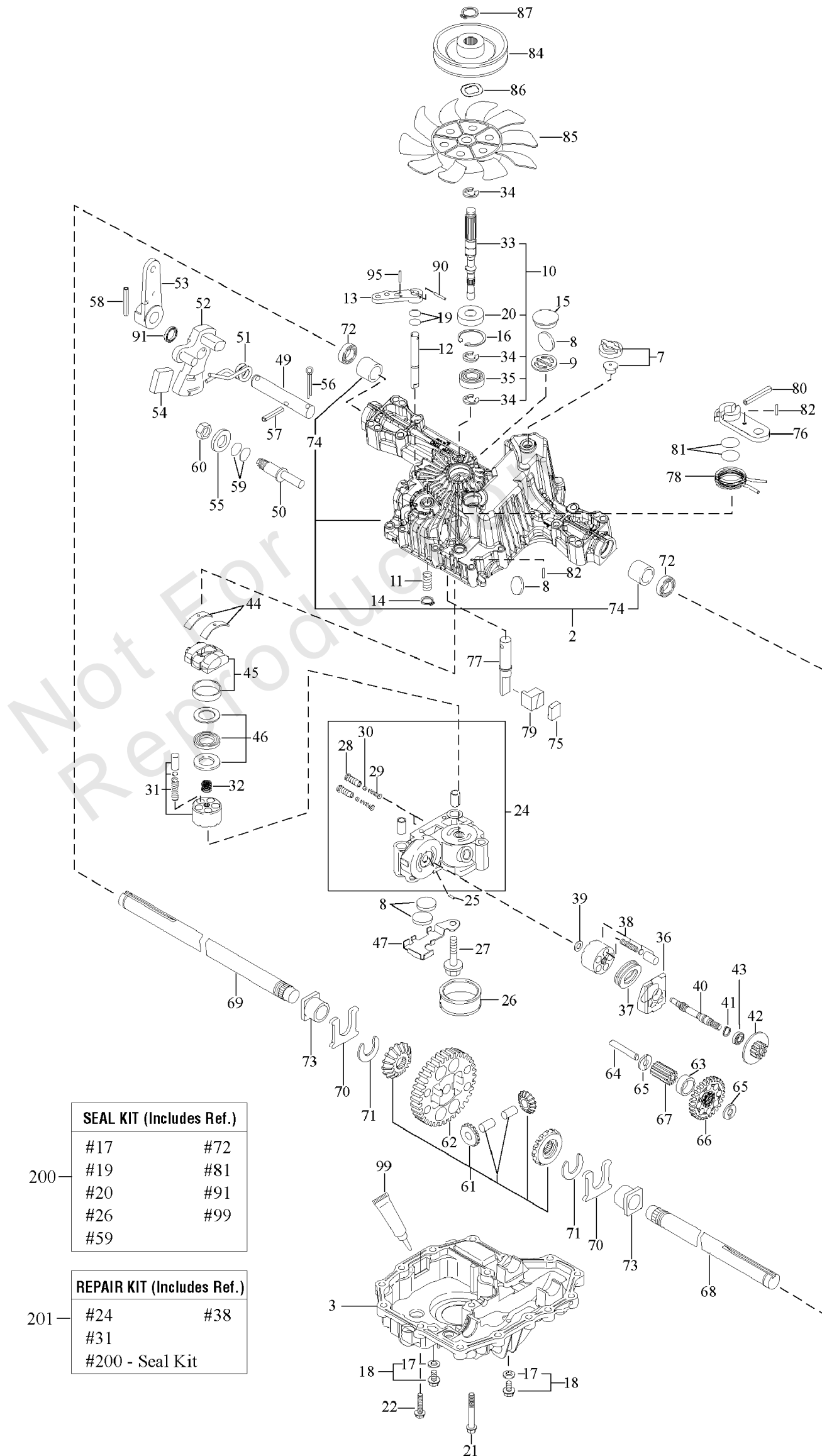
Note* See your local authorized dealership for Tuff Torq parts and warranty or contact Tuff Torq at www.tufftorqservices.com (1-866-572-3441 US only / 01-423-585-1977)

Note* See your local authorized dealership for Tuff Torq parts and warranty or contact Tuff Torq at www.tufftorqservices.com (U.S. 1-866-572-3441 / Int'l: 01-423-585-1977)

Transmission SERVICE PARTS - Tuff Torq K46BP (1729588)

Note: Unless noted otherwise, use the standard torque specifications

Mfg. No: 2691663-00



| SEAL KIT (Includes Ref.) | |
|--------------------------|-----|
| #17 | #72 |
| #19 | #81 |
| #20 | #91 |
| #26 | #99 |
| #59 | |

200

| REPAIR KIT (Includes Ref.) | |
|----------------------------|-----|
| #24 | #38 |
| #31 | |
| #200 - Seal Kit | |

201

Transmission SERVICE PARTS - Tuff Torq K46BP (1729588)

| REF NO | PART NO | QTY | DESCRIPTION |
|--------|-----------|-----|---|
| 57 | 1724296SM | | SPRING PIN 6 * 36 |
| 58 | 1718100SM | | ROLL PIN 6 * 40 |
| 60 | 1708692SM | | NUT 12 |
| 61 | ----- | | *KIT, Differential Gear |
| 62 | ----- | | *FINAL GEAR (54T) |
| 63 | ----- | | *FINAL PINION COLLAR |
| 64 | ----- | | *REDUCTION SHAFT |
| 65 | 1724948SM | | WASHER, 12 * 32 * 3.2 |
| 66 | ----- | | *REDUCTION GEAR (37T) |
| 67 | ----- | | *FINAL PINION GEAR (10T) |
| 68 | 1724303SM | | AXLE SHAFT, Left |
| 69 | 1724304SM | | AXLE SHAFT, Right |
| 70 | ----- | | *THRUST WASHER |
| 71 | 1718113SM | | RING, 17 |
| 72 | 1718111SM | | SEAL, 19 * 32 * 8 -(For this part only contact B&S Tech support) |
| 73 | 1718110SM | | BUSHING, 19 * 25 |
| 74 | ----- | | *BUSHING, 19.05 |
| 75 | 1724305SM | | BRAKE SHOE |
| 76 | 1724306SM | | BRAKE LEVER |
| 77 | ----- | | *BRAKE SHAFT |
| 78 | ----- | | *BRAKE RETURN SPRING |
| 79 | 1724309SM | | BRAKE ACTUATOR |
| 80 | 1724310SM | | SPRING PIN, 5 * 32 |
| 82 | 1724311SM | | SPRING PIN 4 * 16 |
| 84 | 1732918SM | | PULLEY D |
| 85 | 1724314SM | | FAN, White |
| 86 | 1724315SM | | WASHER, Wave |
| 87 | 1724316SM | | RING, Snap |
| 90 | ----- | | *SPRING PIN 3.0A * 20 |
| 95 | ----- | | *SPRING PIN 3.0A * 16 |
| 99 | ----- | | *SEALANT |
| 200 | 1727541YP | | K46 & T40 SEAL KIT |
| 201 | ----- | | *REPAIR KIT K46 |

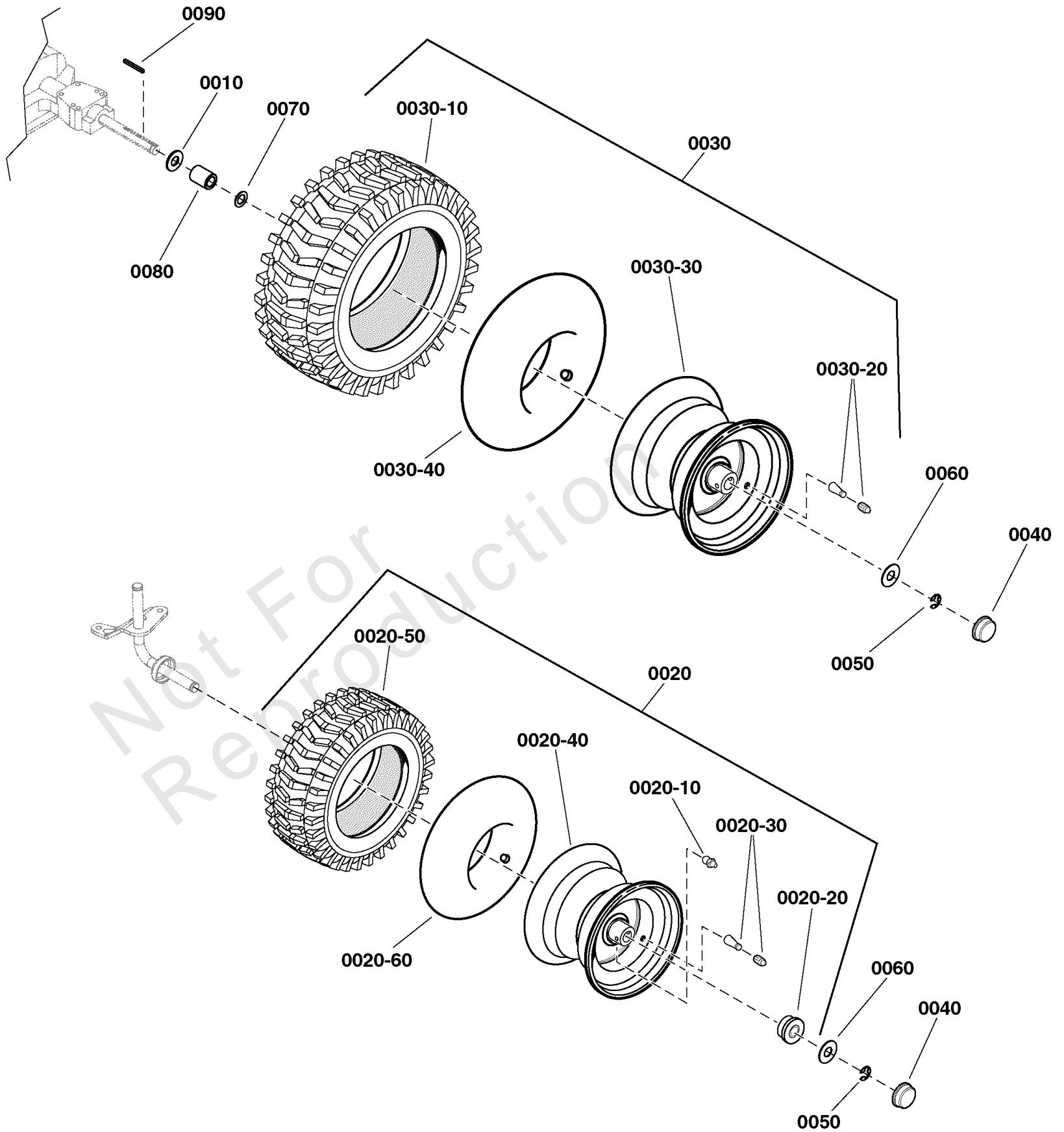
Footnotes:

Note* See your local authorized dealership for Tuff Torq parts and warranty or contact Tuff Torq at www.tufftorqservices.com (1-866-572-3441 US only / 01-423-585-1977)
 Note* See your local authorized dealership for Tuff Torq parts and warranty or contact Tuff Torq at www.tufftorqservices.com (U.S. 1-866-572-3441 / Int'l: 01-423-585-1977)

Wheels & Tires

Note: Unless noted otherwise, use the standard torque specifications

Mfg. No: 2691663-00



Wheels & Tires

| REF NO | PART NO | QTY | DESCRIPTION |
|---------|-----------|-----|--|
| 0010 | 2860202SM | 1 | WASHER, 3/4 x 1-5/8 OD x 1/8 Thick |
| 0020 | 1761503YP | 1 | WHEEL AND TIRE ASSEMBLY, Front, 15 x 6-6 |
| 0020-10 | 84003425 | 1 | ZERK, Grease Fitting |
| 0020-20 | 84003424 | 1 | BEARING, Ball |
| 0020-30 | 2172353SM | 1 | VALVE STEM & CAP |
| 0020-40 | ----- | 1 | Rim -(Refer to Note: *) |
| 0020-50 | 7101556YP | 1 | TIRE, 15 x 6 2 Ply K358 |
| 0020-60 | 1664090SM | 1 | TUBE, Tire, Front |
| 0030 | 7101563YP | 1 | ASSY, WHEEL & TIRE |
| 0030-10 | 7101562YP | 2 | TIRE, 20 x 10-8, 2 Ply K358 |
| 0030-20 | 2172353SM | 1 | VALVE STEM & CAP |
| 0030-30 | ----- | 1 | RIM -(Refer to Note: *) |
| 0030-40 | 2164247SM | | TUBE, Tire, Rear |
| 0040 | 094618MA | 4 | HUB CAP |
| 0050 | 2827794SM | 4 | KLIPRING, .75 Dia Shaft |
| 0060 | 17X195MA | 4 | WASHER, Flat 1-3/4 |
| 0070 | 17X160MA | 2 | WASHER, Flat, 3/4 x 1-1/4 x 16 |
| 0080 | 1730181SM | 2 | SPACER, 3/4 ID x 1-1/4 OD x 1-5/8 |
| 0090 | 021553MA | 2 | KEY, Square, 3/16 |

Not For
Reproduction

Footnotes:

Note* Not a serviceable part, service wheel complete

Hardware Identification & Torque Specifications

| Torque Specification Chart | | | | | | | | |
|--|-----------|------|-----------|------|------------|------|------------|------|
| FOR STANDARD METRIC MACHINE HARDWARE (Tolerance ± 20%) | | | | | | | | |
| Property Class | 5.6 | | 8.8 | | 10.9 | | 12.9 | |
| | Class 5.6 | | Class 8.8 | | Class 10.9 | | Class 12.9 | |
| Size Of Hardware | in/lbs | Nm. | in/lbs | Nm. | in/lbs | Nm. | in/lbs | Nm. |
| | ft/lbs | | ft/lbs | | ft/lbs | | ft/lbs | |
| M3 | 5.88 | .56 | 13.44 | 1.28 | 19.2 | 1.80 | 22.92 | 2.15 |
| M4 | 13.44 | 1.28 | 30.72 | 2.90 | 43.44 | 4.10 | 52.56 | 4.95 |
| M5 | 26.4 | 2.50 | 60.96 | 5.75 | 5.97 | 8.10 | 7.15 | 9.7 |
| M6 | 44.64 | 4.3 | 7.3 | 9.9 | 10.3 | 14 | 12.1 | 16.5 |
| M7 | 5.2 | 7.1 | 12.1 | 16.5 | 16.9 | 23 | 19.9 | 27 |
| M8 | 7.7 | 10.5 | 17.7 | 24 | 25 | 34 | 29 | 40 |
| M10 | 15 | 21 | 35 | 48 | 50 | 67 | 59 | 81 |
| M12 | 26 | 36 | 61 | 83 | 86.2 | 117 | 103 | 140 |
| M14 | 42 | 58 | 101 | 132 | 136 | 185 | 162 | 220 |
| M16 | 64 | 88 | 147 | 200 | 210 | 285 | 250 | 340 |
| M18 | 89 | 121 | 202 | 275 | 287 | 390 | 346 | 470 |
| M20 | 126 | 171 | 290 | 390 | 405 | 550 | 486 | 660 |
| M22 | 169 | 230 | 390 | 530 | 559 | 745 | 656 | 890 |
| M24 | 217 | 295 | 497 | 375 | 708 | 960 | 840 | 1140 |
| M27 | 320 | 435 | 733 | 995 | 1032 | 1400 | 1239 | 1680 |
| M30 | 435 | 590 | 995 | 1350 | 1401 | 1900 | 1681 | 2280 |
| M33 | 590 | 800 | 1349 | 1830 | 1902 | 2580 | 2278 | 3090 |
| M36 | 759 | 1030 | 1740 | 2360 | 2441 | 3310 | 2935 | 3980 |
| M39 | 988 | 1340 | 2249 | 3050 | 3163 | 4290 | 3798 | 5150 |

| Torque Specification Chart | | | | | | |
|---|-------------|-------|-------------|-------|-------------|---------|
| FOR STANDARD MACHINE HARDWARE (Tolerance ± 20%) | | | | | | |
| Hardware Grade | No Marks | | SAE Grade 5 | | SAE Grade 8 | |
| | SAE Grade 2 | | SAE Grade 5 | | SAE Grade 8 | |
| Size Of Hardware | in/lbs | Nm. | in/lbs | Nm. | in/lbs | Nm. |
| | ft/lbs | | ft/lbs | | ft/lbs | |
| 8-32 | 19 | 2.1 | 30 | 3.4 | 41 | 4.6 |
| 8-36 | 20 | 2.3 | 31 | 3.5 | 43 | 4.9 |
| 10-24 | 27 | 3.1 | 43 | 4.9 | 60 | 6.8 |
| 10-32 | 31 | 3.5 | 49 | 5.5 | 68 | 7.7 |
| 1/4-20 | 66 | 7.6 | 8 | 10.9 | 12 | 16.3 |
| 1/4-28 | 76 | 8.6 | 10 | 13.6 | 14 | 19.0 |
| 5/16-18 | 11 | 15.0 | 17 | 23.1 | 25 | 34.0 |
| 5/16-24 | 12 | 16.3 | 19 | 25.8 | 29 | 34.0 |
| 3/8-16 | 20 | 27.2 | 30 | 40.8 | 45 | 61.2 |
| 3/8-24 | 23 | 31.3 | 35 | 47.6 | 50 | 68.0 |
| 7/16-14 | 30 | 40.8 | 50 | 68.0 | 70 | 95.2 |
| 7/16-20 | 35 | 47.6 | 55 | 74.8 | 80 | 108.8 |
| 1/2-13 | 50 | 68.0 | 75 | 102.0 | 110 | 149.6 |
| 1/2-20 | 55 | 74.8 | 90 | 122.4 | 120 | 163.2 |
| 9/16-12 | 65 | 88.4 | 110 | 149.6 | 150 | 204.0 |
| 9/16-18 | 75 | 102.0 | 120 | 163.2 | 170 | 231.2 |
| 5/8-11 | 90 | 122.4 | 150 | 204.0 | 220 | 299.2 |
| 5/8-18 | 100 | 136 | 180 | 244.8 | 240 | 326.4 |
| 3/4-10 | 160 | 217.6 | 260 | 353.6 | 386 | 525.0 |
| 3/4-16 | 180 | 244.8 | 300 | 408.0 | 420 | 571.2 |
| 7/8-9 | 140 | 190.4 | 400 | 544.0 | 600 | 816.0 |
| 7/8-14 | 155 | 210.8 | 440 | 598.4 | 660 | 897.6 |
| 1-8 | 220 | 299.2 | 580 | 788.8 | 900 | 1,244.0 |
| 1-12 | 240 | 326.4 | 640 | 870.4 | 1,000 | 1,360.0 |

The guides and ruler furnished below are designed to help you select the appropriate hardware.

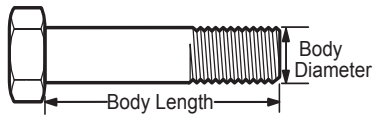


Nut, M8

Thread Diameter (mm)

Inside Diameter (in) Threads per inch

Nut, 1/2-16



Screw, M8- 1.25 x 25

Thread Diameter (mm) Distance between threads (mm) Body Length (mm)

Body Diameter Threads per inch Body Length (in)

Screw, 1/2- 16 x 2



Standard Hardware Sizing

When a washer or nut is identified as 1/2" (M8), this is the *Nominal size*, meaning the *inside diameter* is 1/2 inch (8mm metric thread diameter); if a second number is present it represents the *threads per inch* (distance between threads).

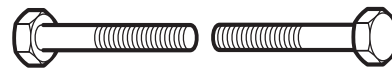
When bolt or capscrew is identified as 1/2 - 16 x 2" (M8 - 1.25 x 50), this means the *Nominal size*, or body diameter is 1/2 inch (8mm metric thread diameter), the second number, 16, represents the *threads per inch*, (*distance between threads*). The final number is the body length of the bolt or screw, 2 inches (50mm).

NOTES

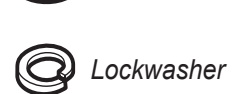
- These torque values are to be used for all hardware excluding: locknuts, self-tapping screws, thread forming screws, sheet metal screws and socket head setscrews.
- Recommended seating torque values for locknuts:
 - for prevailing torque locknuts - use 65% of grade 5 torques.
 - for flange whizlock nuts and screws - use 135% of grade 5 torques.
- Unless otherwise noted on assembly drawings, all torque values must meet this specification.

Common Hardware Types

Hex Head Capscrew



Washer



Carriage Bolt



Hex Nut

Wrench & Fastener Size Guide

| | | | | |
|----------------------------------|----------------------------------|----------------------------------|--|---------------------------------|
| | | | | |
| 1/4" Bolt or Nut Wrench—7/16" | 5/16" Bolt or Nut Wrench—1/2" | 3/8" Bolt or Nut Wrench—9/16" | 7/16" Bolt or Nut Wrench (Bolt)—5/8" Wrench (Nut)—11/16" | 1/2" Bolt or Nut Wrench—3/4" |
| M6 Bolt or Nut Wrench—10mm | M8 Bolt or Nut Wrench—13mm | M10 Bolt or Nut Wrench—17mm | M12 Bolt or Nut Wrench—19mm | M14 Bolt or Nut Wrench—22mm |

